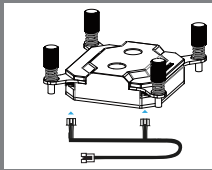


# Phanteks Glacier C350A

PH-C350A\_BK01/PH-C350A\_CR01

INSTALLATION GUIDE

## PACKAGE CONTENTS



Glacier C350a  
QTY: 1

RGB LED Cable  
QTY: 1

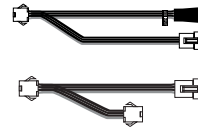


Thermal Compound  
(PH-NDC\_01)  
QTY: 1



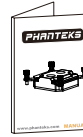
AM4 Socket Screws  
QTY: 4

AM4 Black Studs  
QTY: 4 each



Phanteks Motherboard RGB Adapter  
QTY: 1

RGB Y-Splitter  
QTY: 1



Phanteks Manual  
QTY: 1



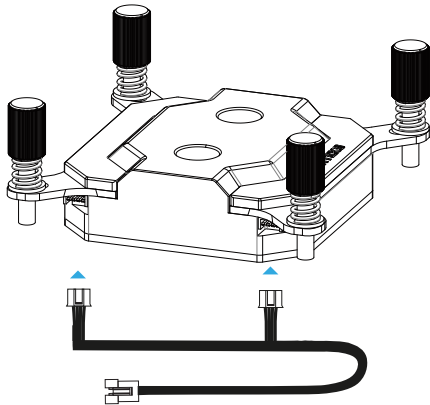
**DISCLAIMER** - This product is intended for advanced users. Please consult with a qualified technician for installation, improper installation may result in damage to your equipment. While all efforts have been made to provide the most comprehensive information possible, Phanteks assumes no liability expressed or implied for any damage(s) occurring to your components as a result of using Phanteks cooling products, either due to mistake or omission on our part in the below instructions, or due to failure or defect in the Phanteks cooling products.

**WARNING** - Turn off the power to your system and discharge your body's static electric charge by touching a grounded surface – for example, the metal surface of the power supply or chassis – before performing any hardware procedure. Phanteks assumes no liability for any damage, caused directly or indirectly, by improper installation of any components. If you do not feel comfortable with performing the installation procedure, consult a qualified computer technician.

\*Please do not disassemble the water block. Warranty will be voided.

\*Always check our website for the latest installation guide.

## FOR INSTALLATION OF AMD AM4 SOCKET



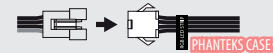
### STEP ONE: CONNECTING THE RGB LED LIGHTING

**Step 1:** Plug in the connectors of the RGB LED Cable as illustrated.

**After Installation:** Two options to install the RGB lighting from the C350A block

- A. Connect to a compatible Phanteks Case (see Phanteks.com for compatibility)
- B. Connect to a compatible motherboard featuring a RGB header, using the RGB. (see Phanteks.com for compatibility)

A. CONNECT TO COMPATIBLE PHANTEKS CASE

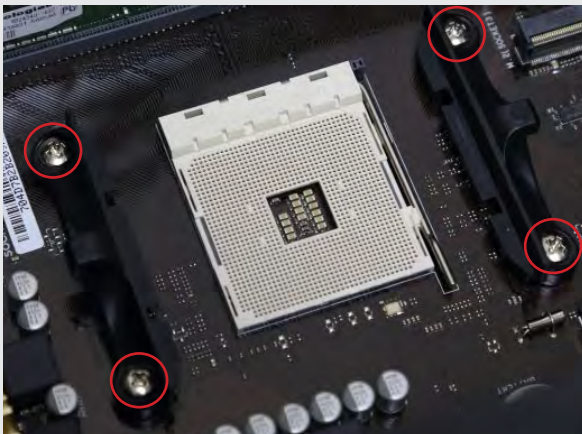


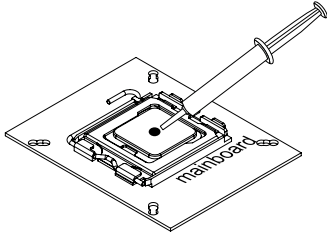
B. CONNECT TO COMPATIBLE MOTHERBOARD



### STEP TWO: REMOVE THE ORIGINAL PLASTIC CLAMPS

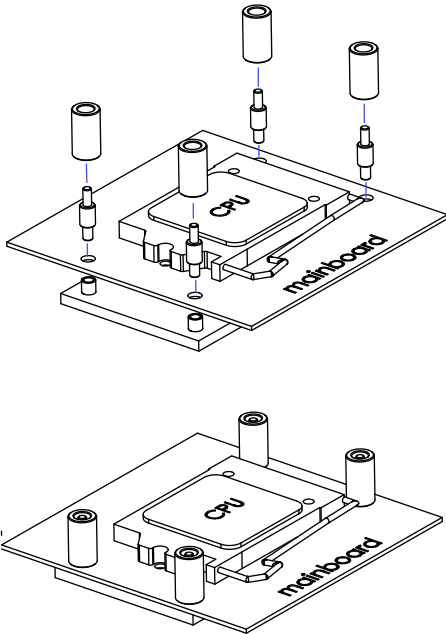
Use a Philips head screwdriver to remove the four screws (in red). Remove the plastic clamps around the socket and make sure to keep the original AMD backplate in place. Make sure that the 4 screw threads on the backplate line up with the holes on the motherboard.





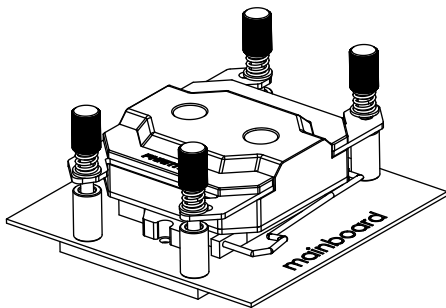
### STEP THREE: APPLYING THERMAL PASTE

Clean off the old thermal paste with a non-abrasive cloth. Once the area is clean, apply a small amount of PH-NDC thermal paste to the center of the CPU.



### STEP FOUR: INSTALLING THE SOCKET SCREWS AND STUDS

Screw in the socket screws to the AMD backplate and place a nylon stud to each socket screw (same as on image). Do not use any tools to tighten the thumb screws



### STEP FIVE: INSTALLING THE WATER BLOCK TO THE SOCKET SCREWS

Align the thumb screws to the socket screws and tighten the screws by hand. Do not use any tools to tighten the thumb screws.

#### Phanteks recommends you follow the steps below before you start your water loop setup

1. Test all your hardware before you start your water loop setup to make sure it is in working condition.
2. Plan out your loop to save some time.
3. Flush and rinse your water blocks with distilled water prior to use to ensure a clean loop.
4. Make sure that everything is unpowered and unplugged, either at the power supply end or hardware's end before you start your leak test.
5. Use paper towels under fittings and joints to avoid damage if there are leaks.
6. With the fill port open, run the loop for approximately 24 hours to completely bleed the air out of the loop.