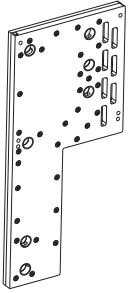


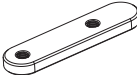

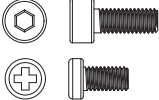



PACKAGE CONTENTS

For latest version check www.Phanteks.com

	GLACIER D140 QTY: 1		Glacier Stop Fitting QTY: 3		Phanteks D-RGB Cable QTY: 1
			GPU bracket QTY: 1		D-RGB MB Adapter QTY: 1
			M4x8 Screws QTY: 4 M3x6 Screws QTY: 2		3mm Allen Key QTY: 1

⚠ WARNING – This product is intended for advanced users. Improper installation may result in damage to your equipment. While all efforts have been made to provide the most comprehensive information possible, Phanteks assumes no liability expressed or implied for any damage(s) occurring to your components as a result of using Phanteks cooling products, either due to mistake or omission on our part in the below instructions, or due to failure or defect in the Phanteks cooling products. Do not disassemble the water block. Warranty will be voided.

Turn off the power to your system and discharge your body's static electric charge before proceeding with the installation procedure. If you do not feel comfortable with performing the installation procedure, consult a qualified computer technician.

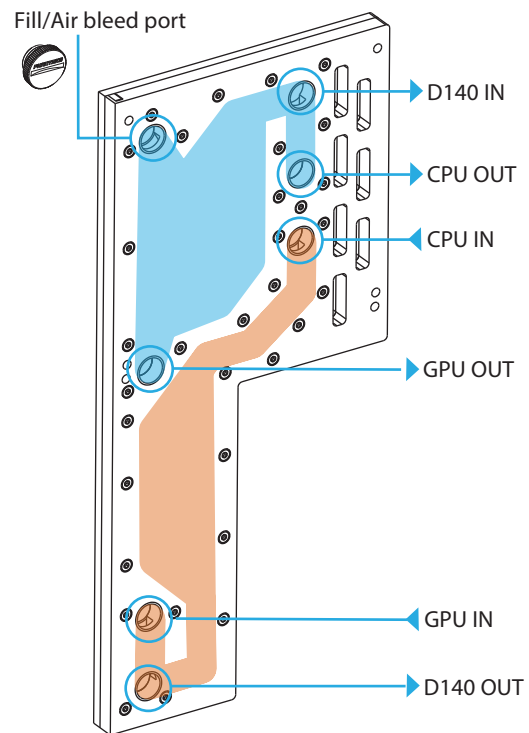
STEP 1. WATER LOOP PLANNING

Take a look at the port overview and plan your water loop accordingly. The CPU and GPU are connected in parallel.

⚠ Make sure to use the correct in and out ports for the CPU and GPU.

💡 PRO TIP Additional stop fittings are provided if only the CPU or GPU ports are used.

💡 PRO TIP The D140 IN and OUT ports can also be reversed if necessary.

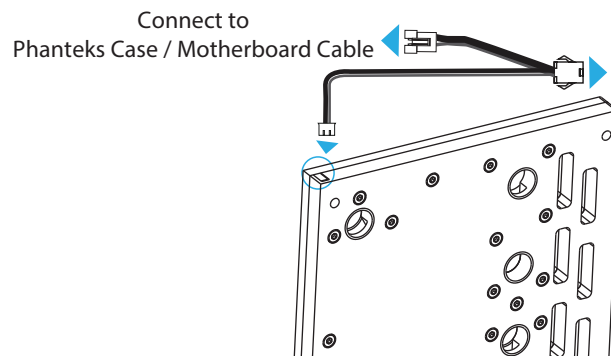


STEP 2. CONNECT THE D-RGB CABLE

Connect the Phanteks D-RGB Cable to the LED strip at the top.

💡 PRO TIP All Phanteks D-RGB products can be daisy-chained together.

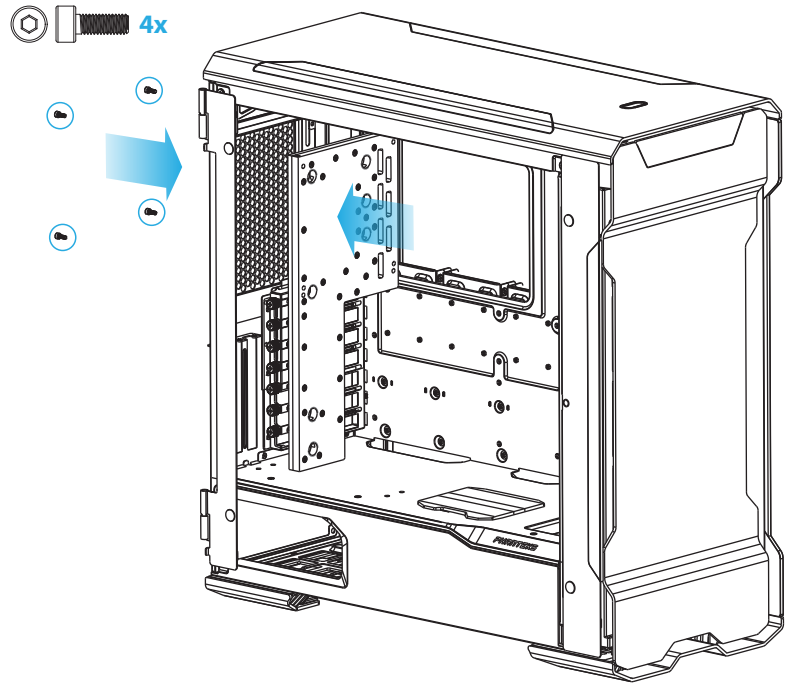
💡 PRO TIP You can connect the D-RGB cable to a compatible motherboard with the included D-RGB MB adapter.



STEP 3. INSTALL THE DISTRIBUTION PLATE

Install the Distribution Plate on the rear panel of the chassis. Use the 4 included M4 screws.

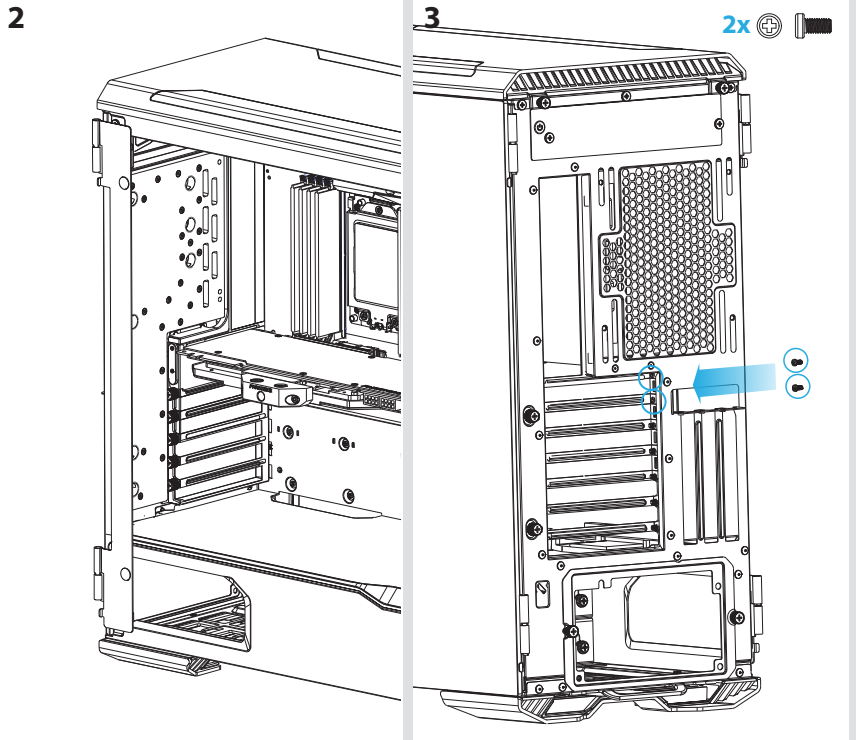
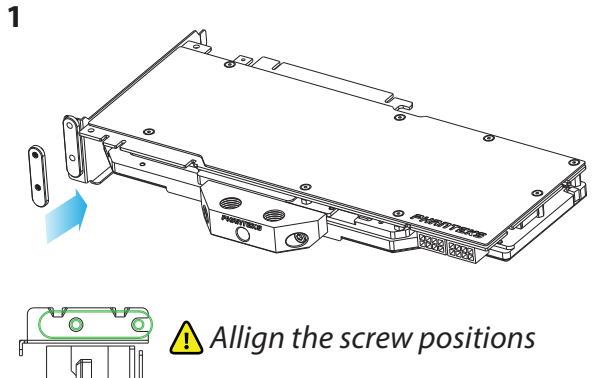
⚠ Do not overtighten the M4 screws.
(Max 1.5N/m)



STEP 4. INSTALL THE GPU

The GPU can be installed with the included GPU bracket.

1. Remove the double sided tape film and place the GPU bracket on the GPU.
2. Place the GPU in the system.
3. Secure the GPU with 2x M3 screws from the rear of the chassis.



STEP 5. INSTALLING FITTINGS

Install G1/4 threaded male fittings and close the remaining ports with the included Stop Fittings.

⚠ Always perform a leak test before providing power to any system components.

💡 Carefully loosen the fill port stop fitting to let trapped air bleed out.

