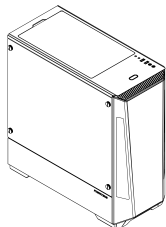
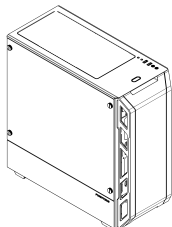


## INTRODUCTION

Thank you for choosing Phanteks. Please take a moment to carefully go through the manual. Phanteks will not take responsibility for any damages incurred due to incorrect installation or usage of this product.

Eclipse P350X

Eclipse P360X

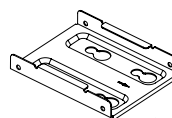


## INCLUDED ACCESSORIES

120 mm Case Fan  
(Pre-Installed)



2.5" SSD Bracket  
(Pre-Installed)



22x Motherboard  
+ SSD Screw



2x Thumb Screw



12x Fan Screw



6x Zip Tie



1x Motherboard-  
Standoff



4x PSU Screw

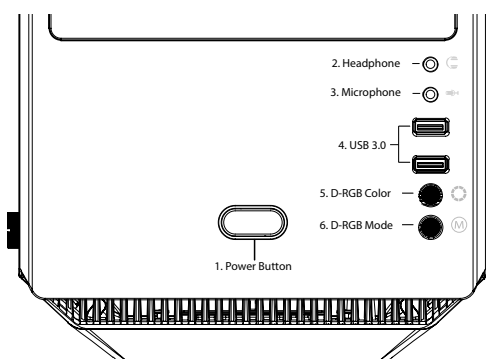


1x This Manual



## PRODUCT OVERVIEW

### ECLIPSE P350X / P360X FRONT I/O



#### English

1. Power Button
2. Headphone
3. Microphone
4. USB 3.0
5. D-RGB Color
6. D-RGB Mode

#### Francais

1. Bouton d'alimentation
2. Casque
3. Microphone
4. USB 3.0
5. D-RGB Couleur
6. D-RGB Mode

#### Deutsch

1. Ein-/Austaste
2. Kopfhörer
3. Mikrophon
4. USB 3.0
5. D-RGB Farbe
6. D-RGB Modus

#### Espanol

1. Botón de encendido
2. Auricular
3. Micrófono
4. USB 3.0
5. D-RGB Color
6. D-RGB mode

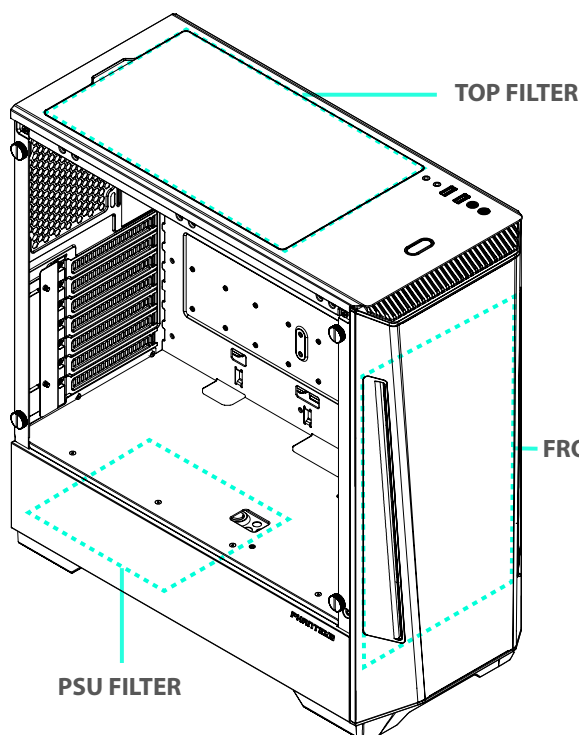
### ECLIPSE P350X / P360X FANS & RADIATORS CLEARANCES

#### CLEARANCE

CPU Cooler Height	160mm
PSU Clearance	250mm
GPU Clearance	400mm
E-ATX Motherboard	280mm

#### REAR

120 FAN	
120 RAD	



#### TOP



140 FAN



120 FAN

120

240

120 RAD

\*max motherboard component height is 38mm

#### FRONT



140 FAN

140

280

140 RAD

Max 142x315mm



120 FAN

120

240

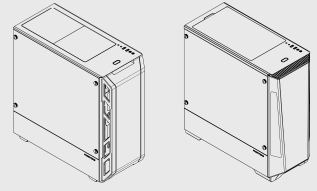
120 RAD

Max 122x315mm

## PANEL REMOVAL

There are three panels which can be removed from the P350X and P360X Chassis; the left side tempered glass panel, the right side panel and the front panel. Follow these steps below.

Instructions for:  
Eclipse P350X / Eclipse P360X



### LEFT SIDE PANEL

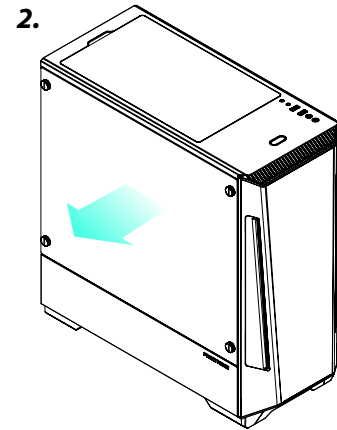
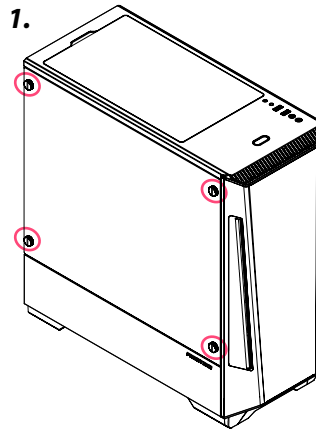
1. REMOVE THUMB SCREWS

REMOVE:

4 x



2. REMOVE TEMPERED GLASS PANEL



### RIGHT SIDE PANEL

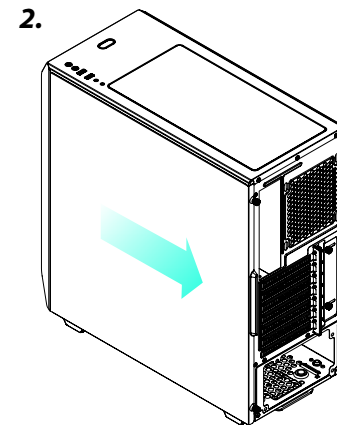
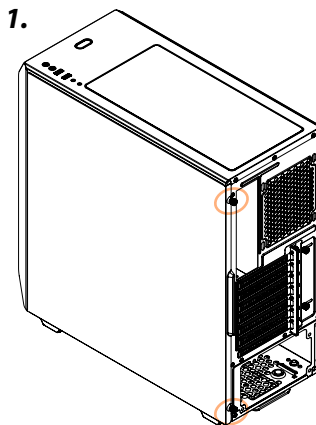
1. LOOSEN THUMB SCREWS

LOOSEN:

2 x

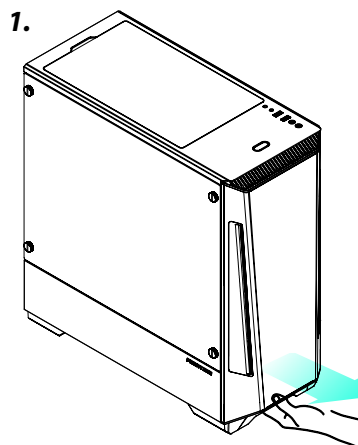


2. SLIDE SIDE PANEL OFF



### FRONT PANEL

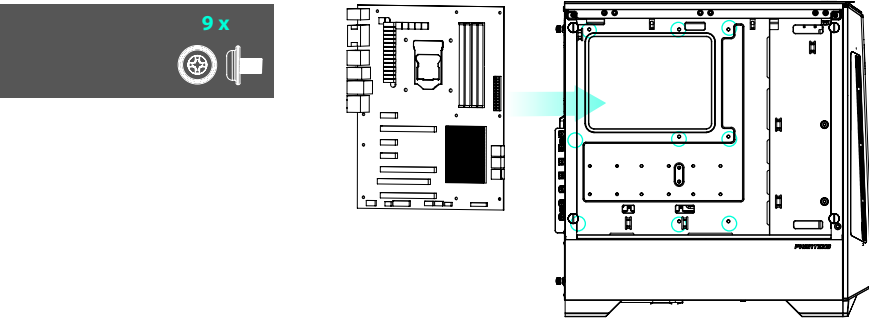
1. REMOVE FRONT PANEL BY PULLING ON THE PANEL FROM BELOW



## HARDWARE INSTALLATION

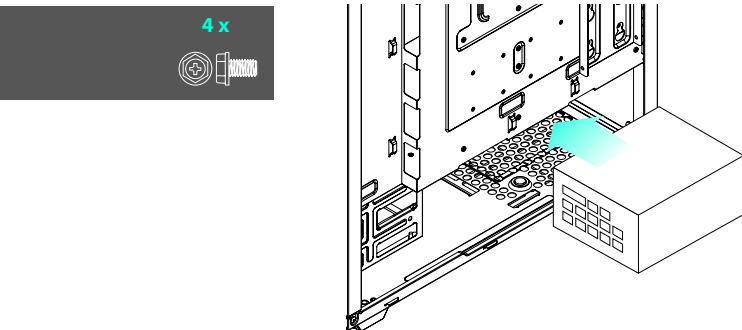
### MOTHERBOARD

1. INSTALL THE MOTHERBOARD USING THE MOTHERBOARD SCREWS.



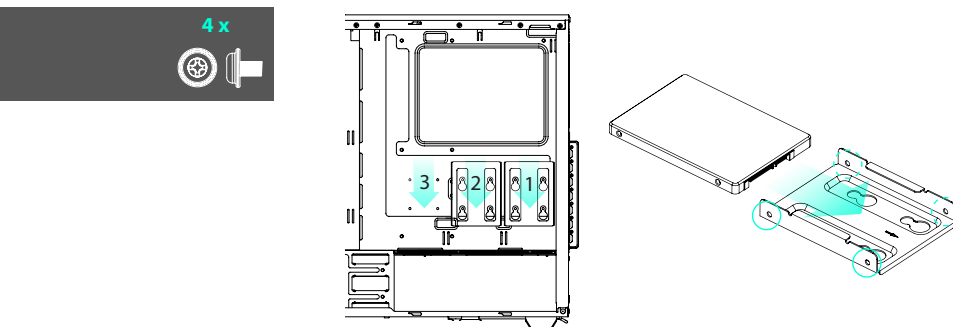
### POWER SUPPLY

1. INSTALL THE POWER SUPPLY WITH 4 PSU SCREWS.



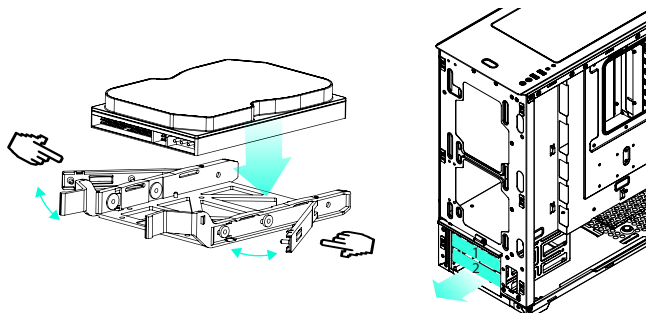
### 2.5" SSD

1. INSTALL THE SSD WITH 4 SSD SCREWS AND PLACE IT ON THE 4 RUBBER GROMMETS.



### 3.5" HDD

2. INSTALL THE HDD IN THE BRACKET AND PLACE IT IN THE CHASSIS.

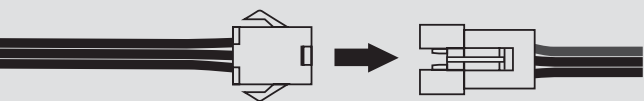


The HDD Tray can also hold a 2.5" SSD.

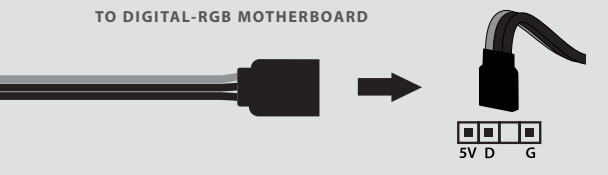
## CABLE CONNECTION

### CONNECT TO DIGITAL-RGB PRODUCTS

TO DIGITAL-RGB PRODUCTS

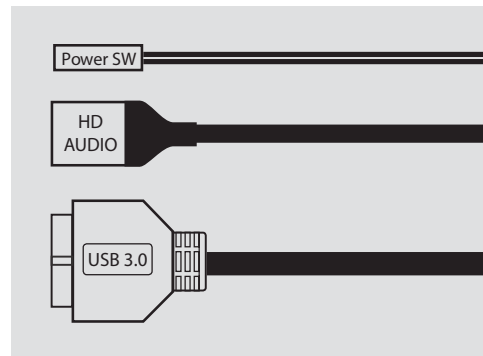


TO DIGITAL-RGB MOTHERBOARD

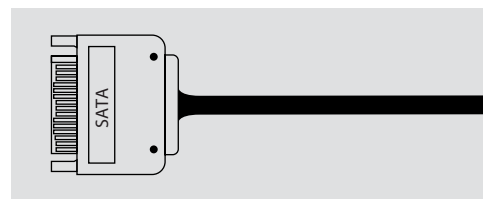


Connect to compatible motherboard for software control. See the below section: Digital-RGB Control.

### CONNECT TO MOTHERBOARD



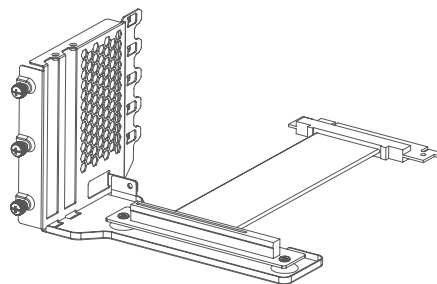
### CONNECT TO POWER SUPPLY



## OPTIONAL UPGRADES

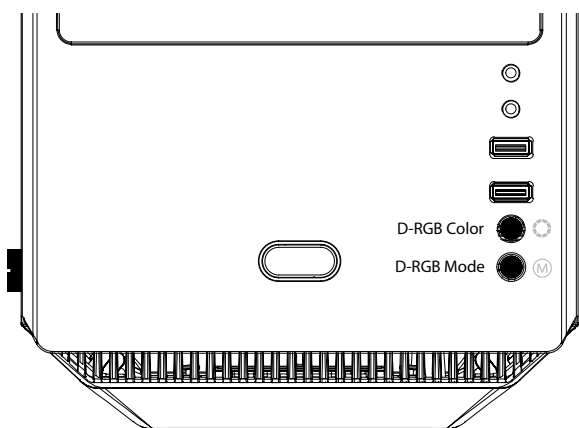
### VERTICAL UPGRADE (PH-VGPUKT\_02)

The P350X and P360X supports the Phanteks Vertical GPU bracket. It can be easily installed in the PCI slot area. Follow the instructions that are included with the Vertical GPU bracket.



## DIGITAL-RGB CONTROL

With the Integrated Digital-RGB controller, you can choose from a variety of modes and color options.



**MODES**

- SOLID
- BREATHING
- RADAR
- SPARKLE
- RAINBOW

**COLORS**

**2 SEC** PRESS AND HOLD THE MODE BUTTON TO TURN OFF FRONT LEDS  
PRESS AND HOLD THE MODE BUTTON AGAIN TO TURN OFF ALL LEDS

COMPATIBLE WITH:



ADDRESSABLE



ADDRESSABLE



RAINBOW



**SOFTWARE CONTROL:** Turning off all LED's will allow for software control with a compatible motherboard. The Mode & Color buttons do not function when using Software Control.



**MAXIMUM POWER:** The Digital-RGB controller can provide a maximum of 7A of power for expansion.