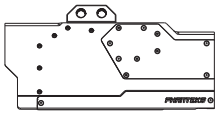
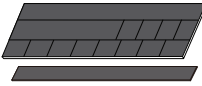






PACKAGE CONTENTS

For latest version check www.Phanteks.com

	GLACIER GB2070AS QTY: 1		Thermal Pads QTY: 2		Thermal Compound PH-NDC-01 QTY: 1
	GLACIER Stop Fitting QTY: 2		M2.5x5 Screws/Washers QTY: 10/10		Phanteks D-RGB Cable QTY: 1

⚠ WARNING – This product is intended for advanced users. Improper installation may result in damage to your equipment. While all efforts have been made to provide the most comprehensive information possible, Phanteks assumes no liability expressed or implied for any damage(s) occurring to your components as a result of using Phanteks cooling products, either due to mistake or omission on our part in the below instructions, or due to failure or defect in the Phanteks cooling products. Do not disassemble the water block. Warranty will be voided.

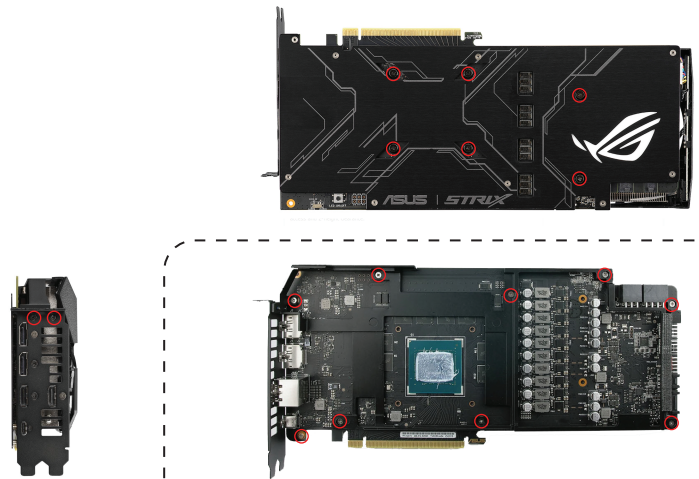
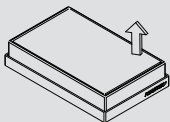
Turn off the power to your system and discharge your body's static electric charge before proceeding with the installation procedure. If you do not feel comfortable with performing the installation procedure, consult a qualified computer technician.

STEP 1. REMOVING STOCK COOLER

Unscrew all highlighted screws to remove the stock cooler, backplate and heatsink.

⚠ Make sure to unplug the LED and Fan cables when you remove the stock cooler.

💡 Take the EVA-Foam from the box to use as a base for your installation process.



Save these screws for step 3.

STEP 2. APPLYING THERMAL PASTE & PADS

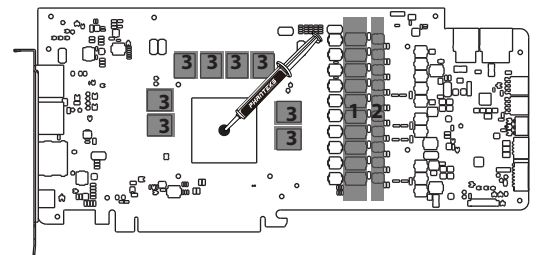
Clean off the original thermal compound. We recommend using isopropanol alcohol.

Apply a drop of the Phanteks Thermal Compound to the center of the GPU chip

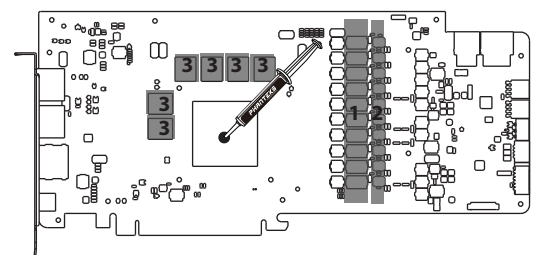
Remove the protective film and place the the thermal pads on correct position on the PCB.

⚠ Make sure to remove the protective film on both sides of the thermal pads.

RTX 2070



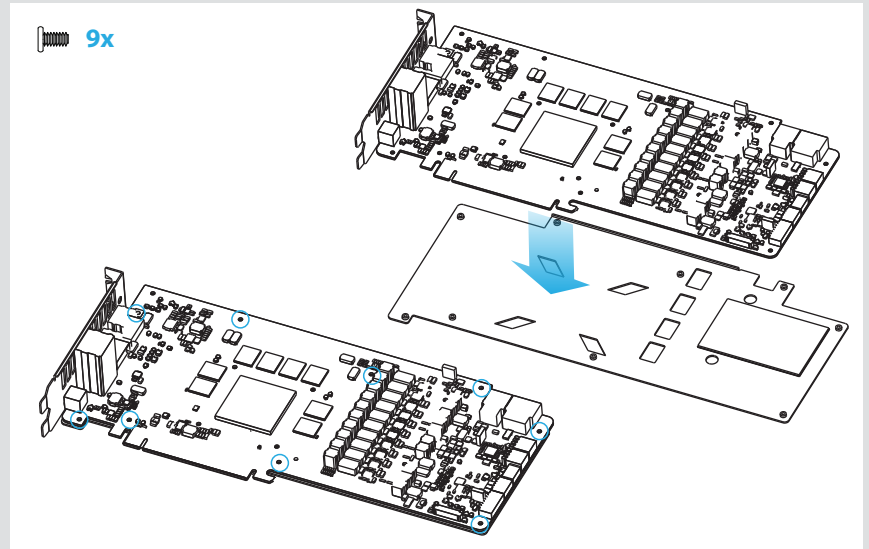
RTX 2060



STEP 3. RE-INSTALL THE BACKPLATE

Carefully position the backplate onto the graphics card. Align the mounting holes on the PCB with the holes on the backplate.


Secure the backplate with 9 M2x5mm screws to the PCB.
Use the original screws from step 1.

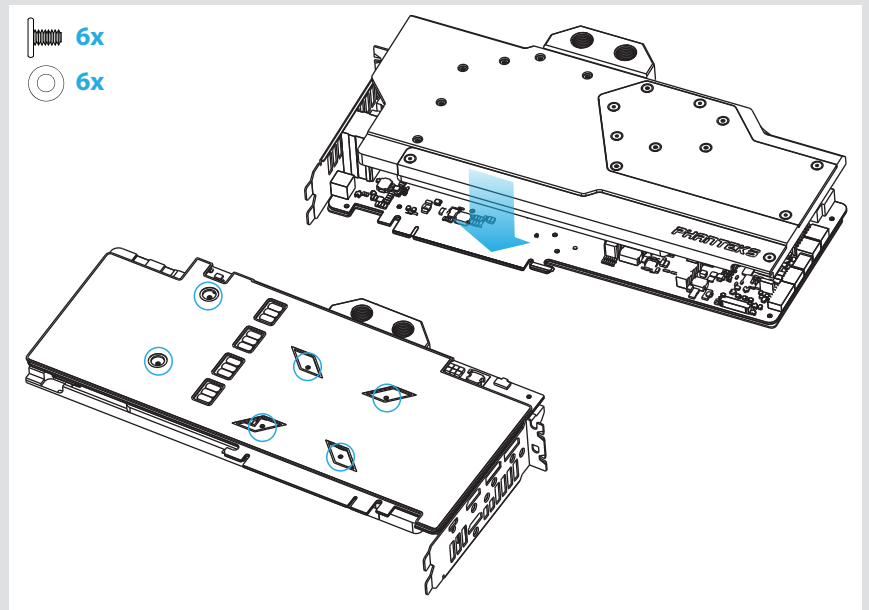


STEP 4. MOUNT THE WATER BLOCK

Carefully position the water block onto the graphics card. Align the mounting holes on the PCB with the holes on the water block.


Secure the water block with 6 M2.5x5mm screws and washers to the PCB.


 *Make sure to lay the GPU with the water block flat down without resting on the PCI bracket.*

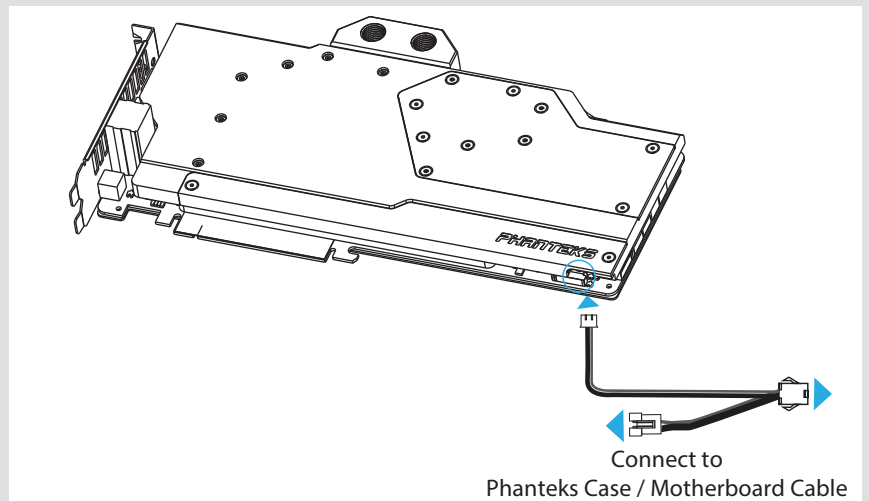


STEP 5. CONNECT D-RGB LIGHTING

Connect the D-RGB cable to the D-RGB strip in the water block.


 *All Phanteks D-RGB products can be daisy-chained together.*

 *You can connect the D-RGB cable to a compatible motherboard with the cable that is included with the motherboard.*



STEP 6. INSTALLING FITTINGS

Install G1/4 threaded male fittings and close the remaining ports with the two included Stop Fittings.

 *Always perform a leak test before providing power to any system components.*

