

Installation Manual

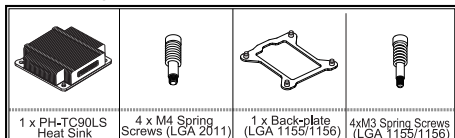
Phanteks PH-TC90LS Thermal radiator for INTEL LGA 2011 / 1155 / 1156 Thank you very much for choosing a Phanteks cooler. This manual will guide you through the installation process of the mounting system step by step.

! Important! Before proceeding with installation, please check for the most up-to-date instructions at www.phanteks.com. Multilingual versions of this manual are also available on our website.

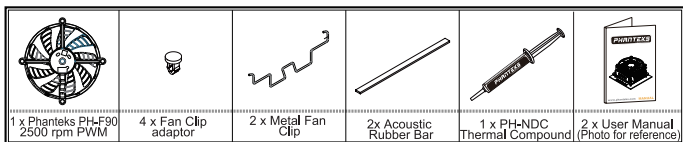
Supports & FAQ

For all enquiries concerning your Phanteks cooler, please contact the support team at support@phanteks.com. You can also consult the FAQ section on our website www.phanteks.com

Common required mounting parts:



Delivered with PH-TC90LS

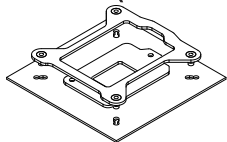


PH-TC90LS INTEL LGA Installation Guide

Step 1: Removing the motherboard

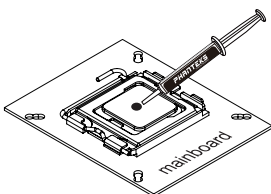
In order to install the Phanteks cooler in your system, you will first need to remove the motherboard from the case to install the backplate.

Step 2 : Setting up the backplate (for used with Intel 1155/1156 only)



Install the supplied backplate over the motherboard's stock backplate. Place the backplate on the rear side of the motherboard properly.

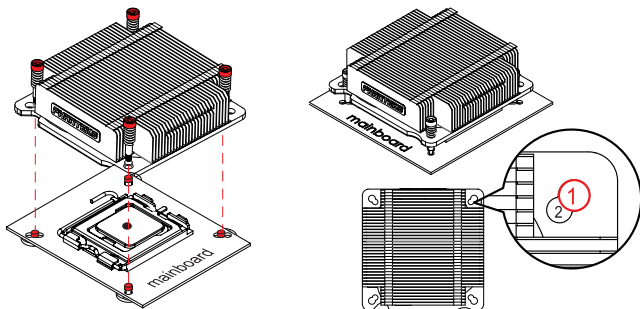
Step 3: Applying thermal paste



Make sure to clean off any residual traces of thermal paste or thermal pads on your CPU before applying new thermal paste. After everything is clean, press a small 4-5 diameter of Phanteks PH-NDC on the center of the CPU base.

Step 4: Heatsink placement

Please place the heatsink on top of the CPU and screw it.



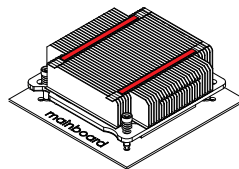
Place heatsink on top on CPU. Make sure the holes are aligned.

Screw in the heatsink to the CPU. (Do not force to overturn the screw, stop when screw is at natural stop)

! Caution: Please follow guide below to position the screws into the right hole.
Position 1: INTEL LGA 2011
Position 2: INTEL LGA 1155 / LGA 1156

Step 5: Placing Rubber bars onto heatsink

Using the two rubber bar provided, stick it onto the zip point of the heatsink. (see diagram)

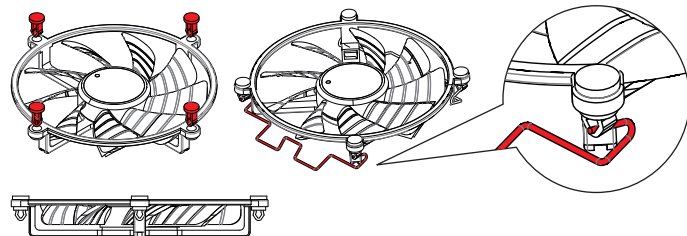


Caution:

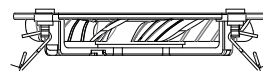
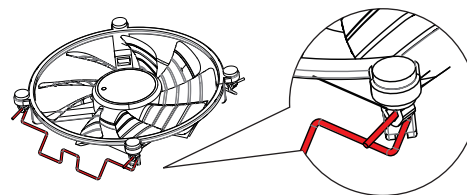
! Placing the rubber bar onto any other position may block the fan's airflow and the rate of convective heat transfer may be reduced.

Step 6: Installing Fan Clips

PH-TC90LS provide 4 pcs fan clip adaptor for install PH-F90 fans on PH-TC90LS,



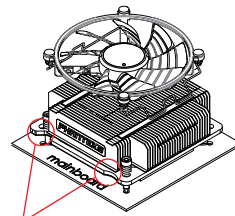
Place the fan clip adaptor (4pcs) into the designated holes. (see diagram)



Install the fan clip into the adaptor, end facing outward.

Step 7: Attaching the fan to the heatsink

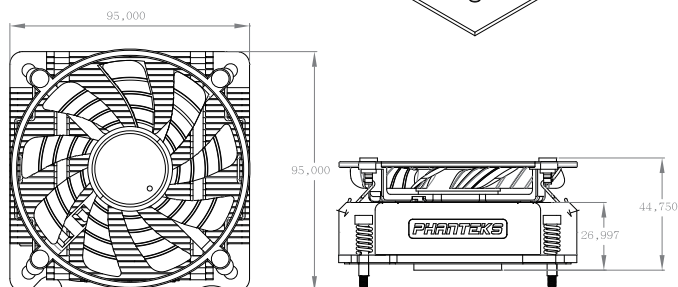
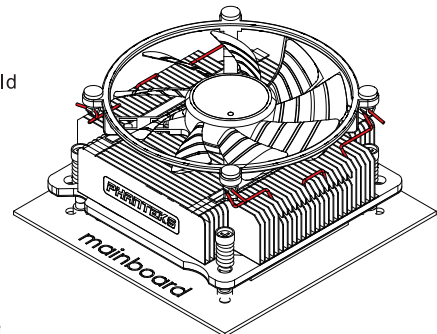
With the wire clips in place, attach the fan to the heatsink.



The base special curve design to avoid the component conflict on ITX mainboard

Final image

Finished Product should look like this.



(mm)

PH-TC90LS Dimension Info: 95x 95x 45mm(LxWxH)