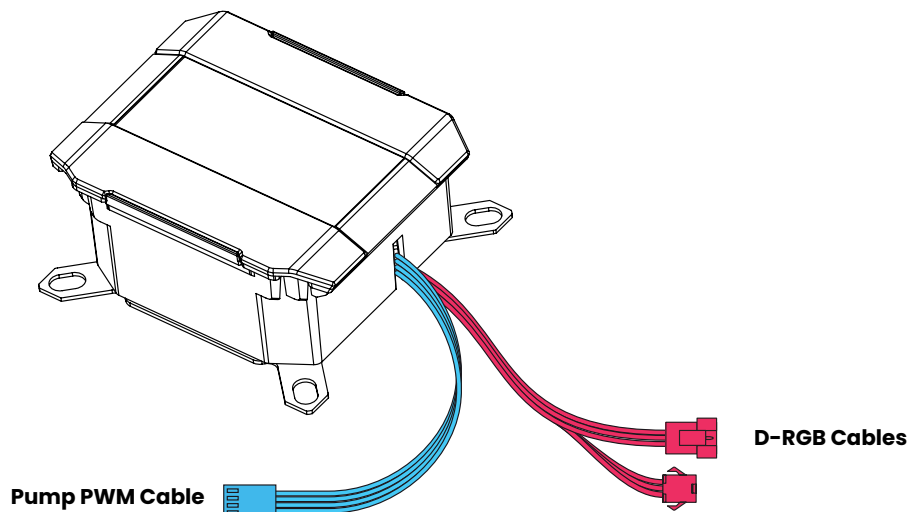


### CONNECT CABLES

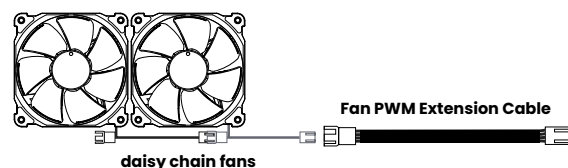
The Glacier One T30 Gen2 is a plug-and-play solution that allows direct control from the motherboard.



#### Pump & Fan cables

##### A) Daisy-Chain T30 fans

Connect the Fans together with the Daisy-chain cables and use the Fan PWM Extension Cable to reach the motherboard.



##### B) Connect to the Motherboard

Choose between 2 configurations:

**B1)** Use the PWM Splitter Cable to connect the pump and fans to a single motherboard CPU header.



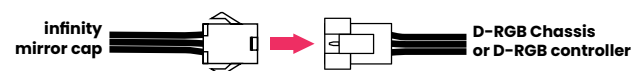
**B2)** If 2x CPU headers are available on the motherboard, the pump and fans can also be connected individually (without PWM Splitter Cable) for more precise control.

#### D-RGB cable connection

The D-RGB lighting can be controlled through a D-RGB equipped Phanteks chassis/controller or motherboard.

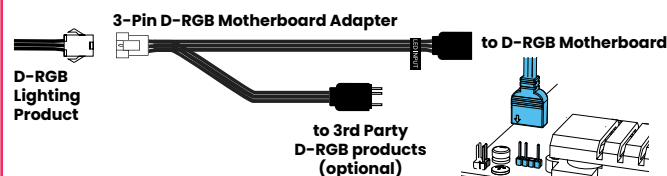
##### A) To Phanteks D-RGB Chassis/Controller

Connect the Infinity Mirror Cap to the Phanteks D-RGB controller



##### B) To D-RGB Motherboard

Use the 3-Pin D-RGB Motherboard Adapter to connect the D-RGB cable to a D-RGB equipped motherboard (A-RGB\*).



\*follow motherboard manual for instruction on D-RGB control

### INSTRUCTIONS

Thank you for choosing Phanteks. This manual will guide you through the installation process of the Glacier One T30 Gen2 AIO CPU Cooler. If you have any questions, please contact us through our customer service or social media.

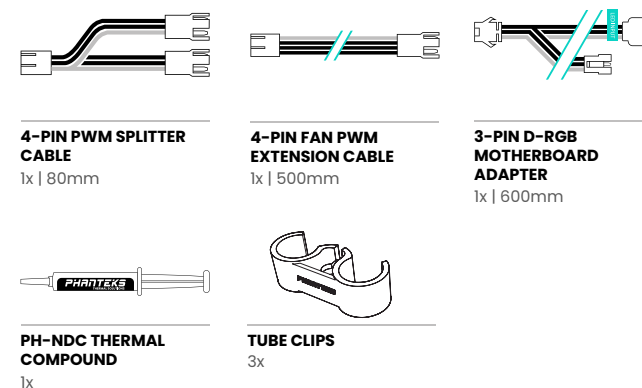
This manual is for the following models:

PH-GO240T30 GEN2  
PH-GO360T30 GEN2

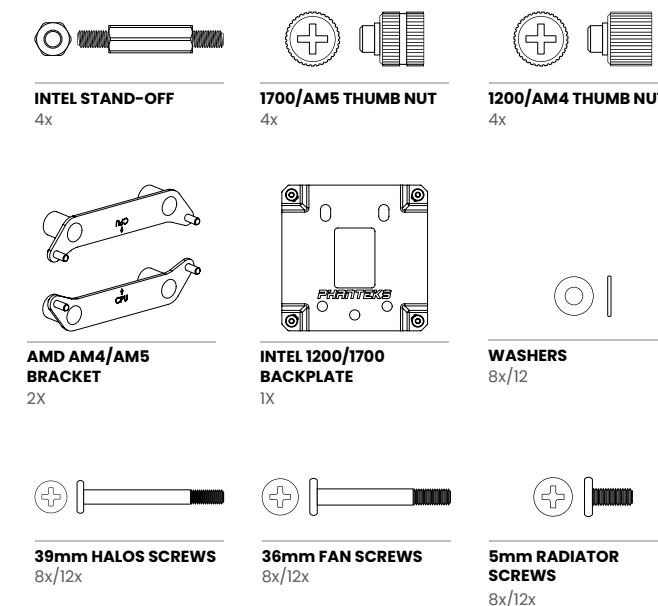
Phanteks will not take responsibility for any damages incurred due to incorrect installation or usage of this product.



### ACCESSORIES



### MOUNTING HARDWARE



### SUPPORT & WARRANTY

As a Phanteks customer, you are priority number one. We have a dedicated team across the globe to deliver the experience you deserve.

**CUSTOMER CARE**  
RMA and Technical Support Americas  
Hours : Monday-Friday 9:00-5:00 PST  
Phone number : +1(909)598-2115  
Email : support@phanteksusa.com  
Facebook : @Phanteks

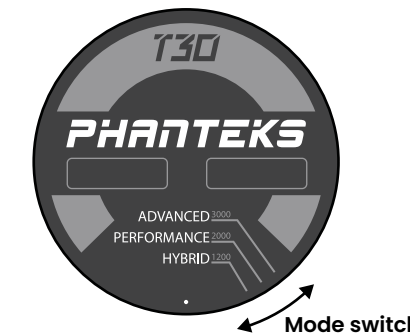
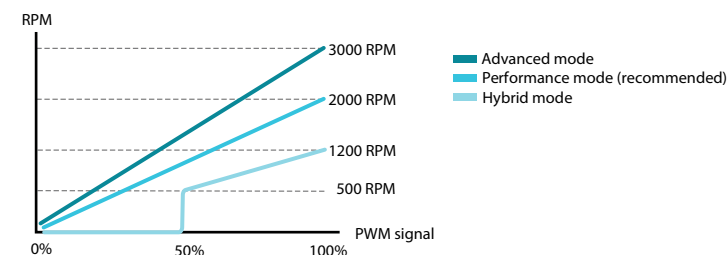
For spare parts and optional upgrades please visit:  
www.axpertec.com (EU) | www.phanteksusa.com (US)

RMA and Technical Support International  
Email : support@phanteks.com  
Facebook : @Phanteks



### SET THE T30 FAN RPM MODE

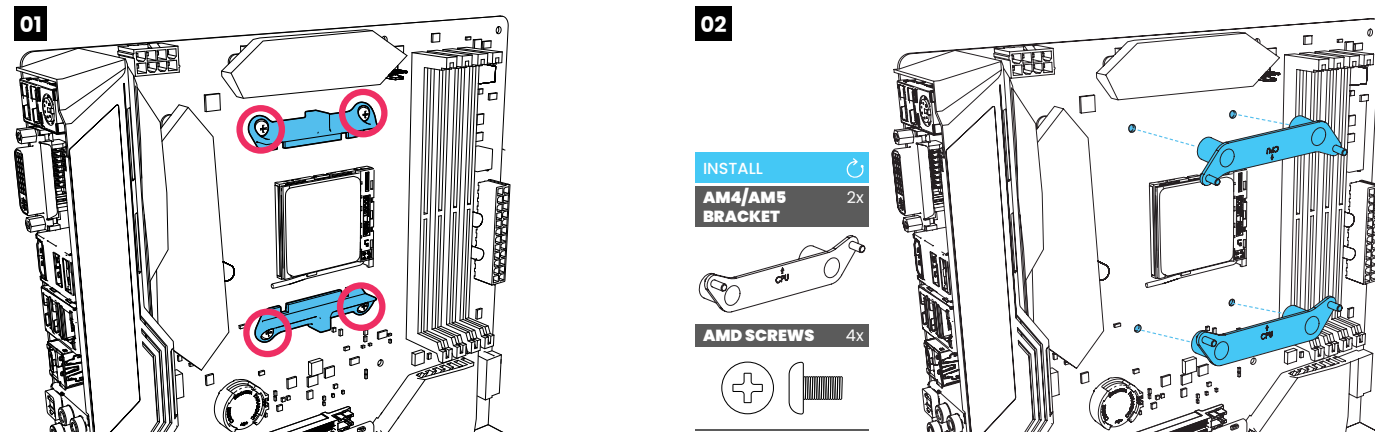
The T30 fan supports 3 different fan profiles via a switch on the fan hub. Please choose your preferred fan profile before installing the fan into your system. We recommend the default 'Performance mode'.



## MOTHERBOARD PREPARATIONS

Follow the instructions for the corresponding socket.

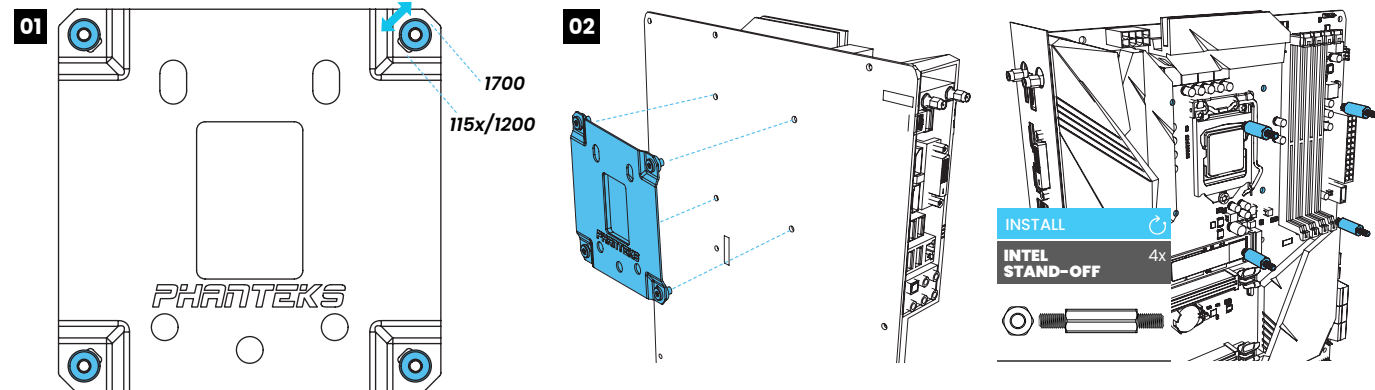
### AMD SOCKET AM4|AM5



Remove the stock mounting brackets.

Secure the 2x AM4/AM5 bracket to the motherboard with the original 4x mounting bracket screws.

### INTEL SOCKET 115X / 1200 / 1700

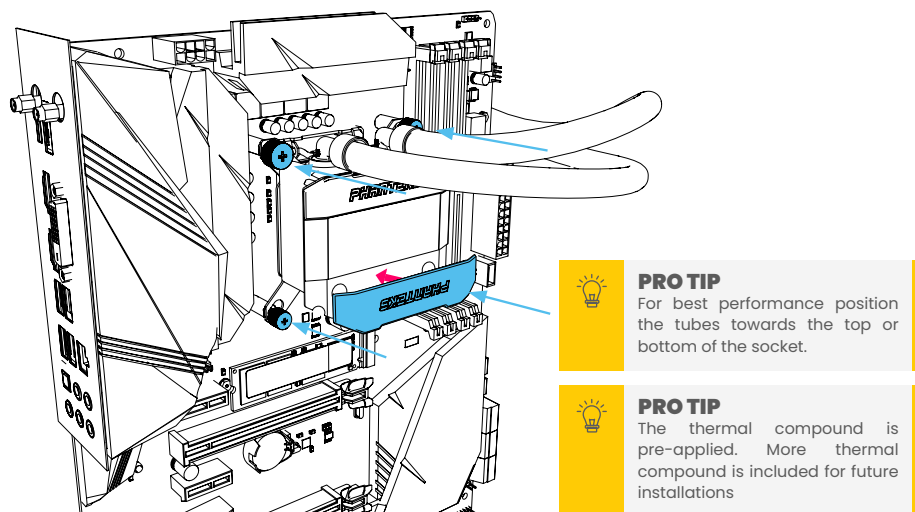
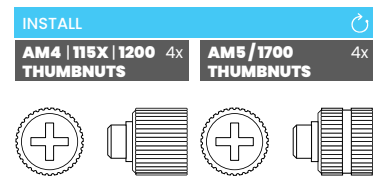


Prepare the Intel Backplate for the correct socket.

Secure the Intel Stand-offs to the motherboard and Intel Backplate.

## INSTALLING THE PUMP BLOCK

- 01** Secure the pump unit to the standoffs on the motherboard with the correct 4x Thumb Nuts for the corresponding socket.
- 02** Attach the pump cap back on the pump after securing the thumb nuts.

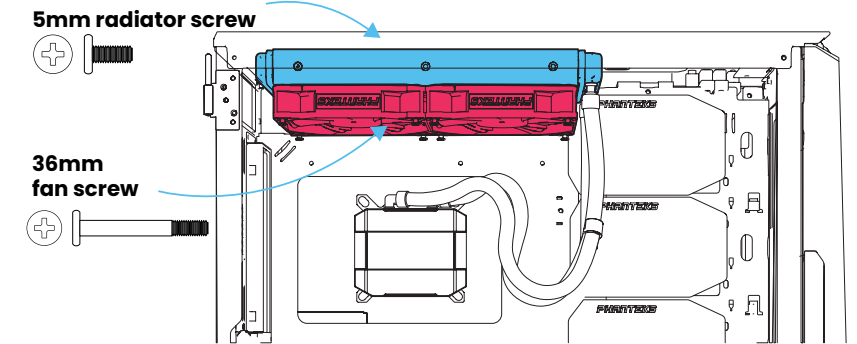


## MOUNT THE RADIATOR AND FANS

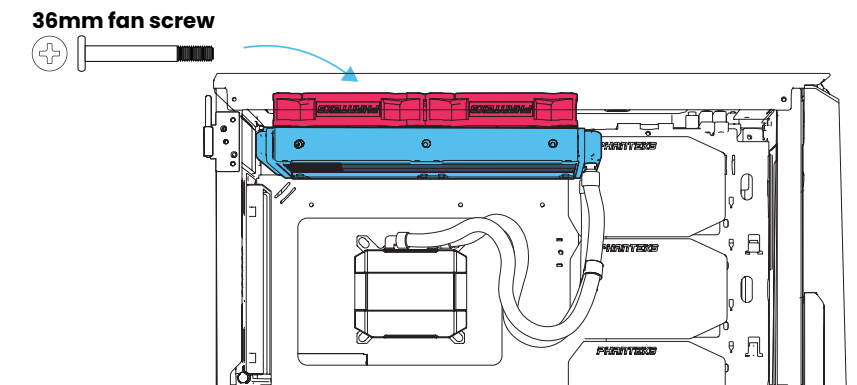
We recommend to install the fans to the radiator before mounting it into the chassis. 3 Types of screws are included to mount the radiator and the fans in different options:

- Use the 5mm radiator screw to mount the radiator directly to the chassis.
- Use the 36mm fan screw to mount the fan to the radiator (and chassis).
- Use the 39mm Halos screw to mount the Halos and fans to the radiator (and chassis).
- Use the optional washers if necessary on the chassis for a secure fit.

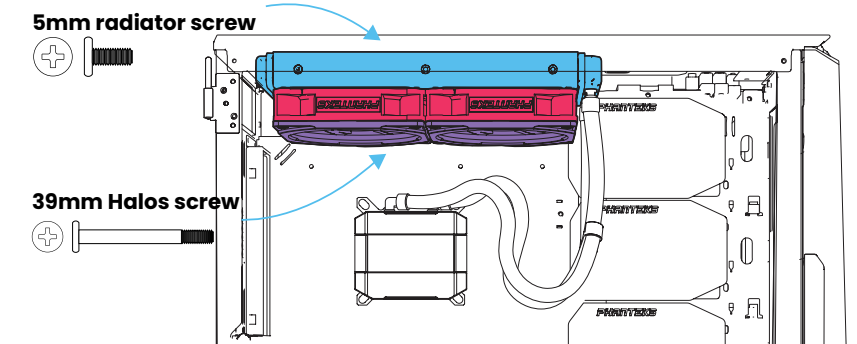
### Option A:



### Option B:



### Option C (When using Halos only):



## INSTALL THE TUBE CLIPS

Optional: Install the (3x) included tube clips for a tidy tube routing. Simply snap the clips on the tubes.

