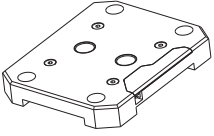


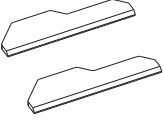
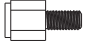



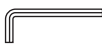


PACKAGE CONTENTS

For latest version check www.Phanteks.com

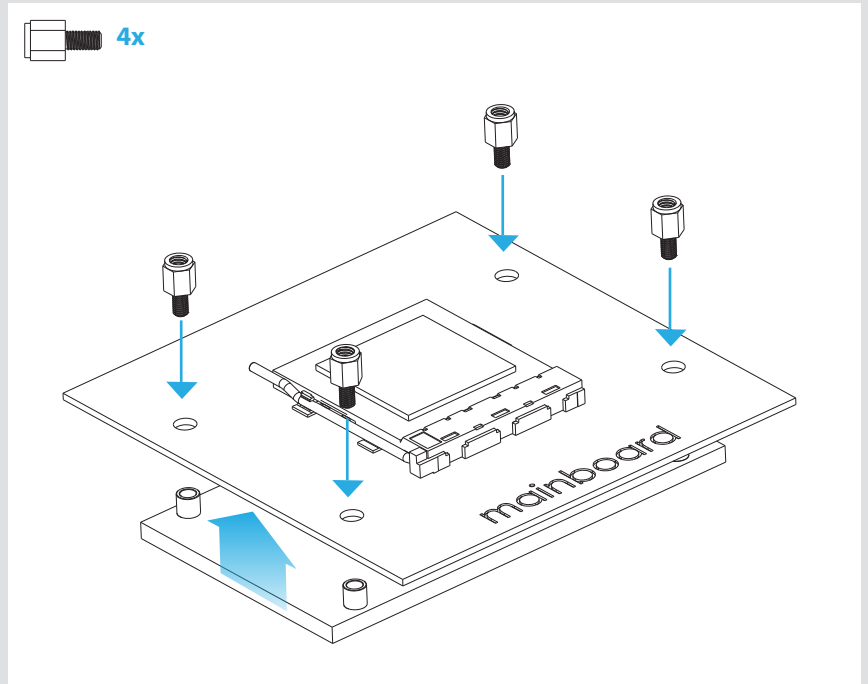
	GLACIER C360A QTY: 1		AM4 Mounting Screw QTY: 4		PhanteKs Thermal Paste QTY: 1
	Cover Plates BK/CR QTY: 2		AM4 Standoff QTY: 4		PhanteKs D-RGB Cable QTY: 1
			Spring & Washer QTY: 4		D-RGB MB Adapter QTY: 1
					2.5mm Allen Key QTY: 1

⚠ WARNING – This product is intended for advanced users. Improper installation may result in damage to your equipment. While all efforts have been made to provide the most comprehensive information possible, PhanteKs assumes no liability expressed or implied for any damage(s) occurring to your components as a result of using PhanteKs cooling products, either due to mistake or omission on our part in the below instructions, or due to failure or defect in the PhanteKs cooling products. Do not disassemble the water block. Warranty will be voided.

Turn off the power to your system and discharge your body's static electric charge before proceeding with the installation procedure. If you do not feel comfortable with performing the installation procedure, consult a qualified computer technician.

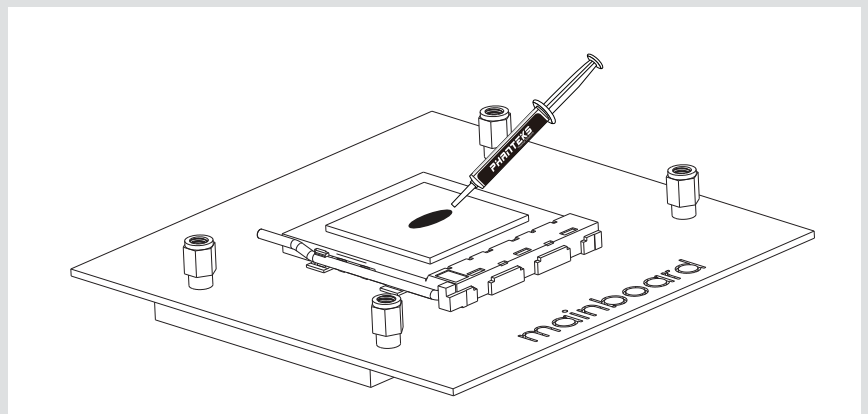
STEP 1. BACKPLATE INSTALLATION

The original CPU backplate is secured with the 4x Standoffs to the motherboard.



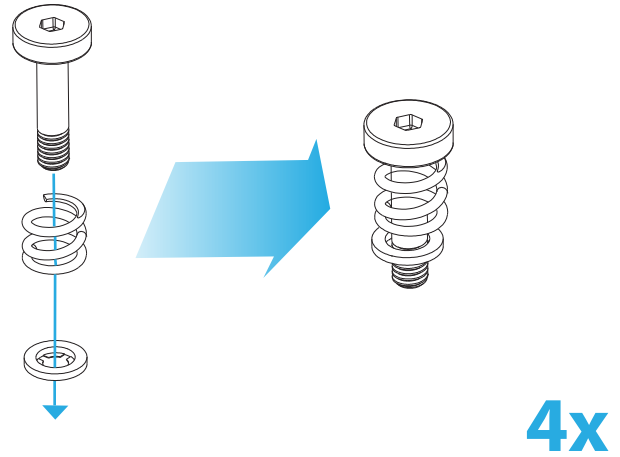
STEP 2. THERMAL PASTE APPLICATION

Apply a pea-size drop of thermal paste to the center of the CPU.



STEP 3. SCREW PREPARATION

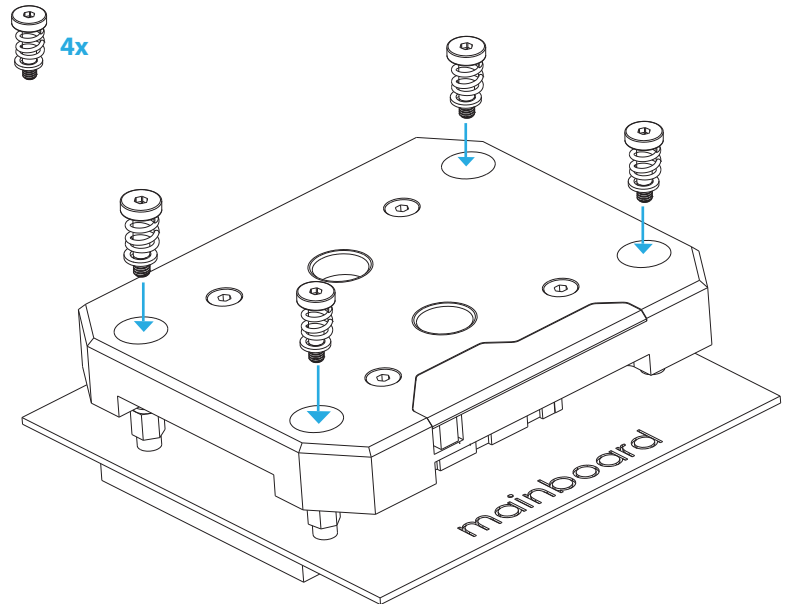
Assemble the AM4 Mounting Screw, Spring and Washer. Do this 4 times.



STEP 4. C360A INSTALLATION

Mount the C360A Block on the CPU Socket and secure it with 4x prepared AM4 Mounting Screws.

⚠ Do not overtighten the AM4 Screws.
(Max 1.5N/m)

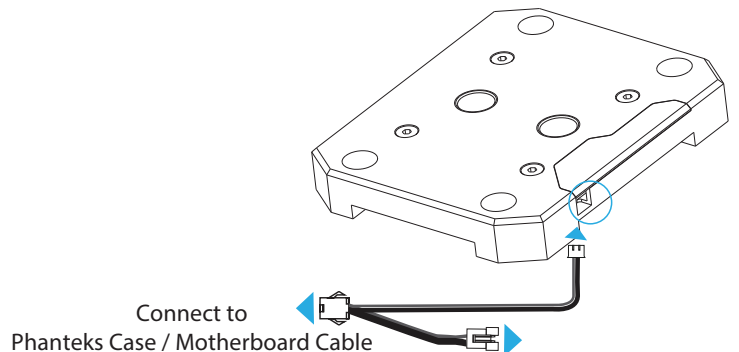


STEP 5. CONNECT D-RGB STRIP

Connect the D-RGB cable to the LED strip in the block. You can lift off the magnetic cover for easy access.

💡 All Phanteks D-RGB products can be daisy-chained together.

💡 You can connect the D-RGB cable to a compatible motherboard with the included D-RGB MB adapter.



Compatible with:



RAINBOW



ADDRESSABLE



ADDRESSABLE

