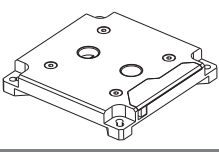


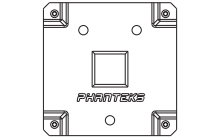
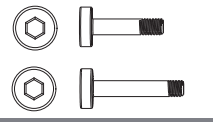

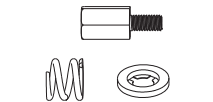




PACKAGE CONTENTS

For latest version check www.Phanteks.com

	GLACIER C360i QTY: 1		Cover Plates BK/CR QTY: 2		Phanteks Thermal Paste QTY: 1
	CPU Backplate QTY: 1		115x Mounting Screw QTY: 4 2011-3 Mounting Screw QTY: 4		Phanteks D-RGB Cable QTY: 1
			115x Standoff QTY: 4 Spring & Washer QTY: 4		D-RGB MB Adapter QTY: 1
					2.5mm Allen Key QTY: 1

⚠ WARNING – This product is intended for advanced users. Improper installation may result in damage to your equipment. While all efforts have been made to provide the most comprehensive information possible, Phanteks assumes no liability expressed or implied for any damage(s) occurring to your components as a result of using Phanteks cooling products, either due to mistake or omission on our part in the below instructions, or due to failure or defect in the Phanteks cooling products. Do not disassemble the water block. Warranty will be voided.

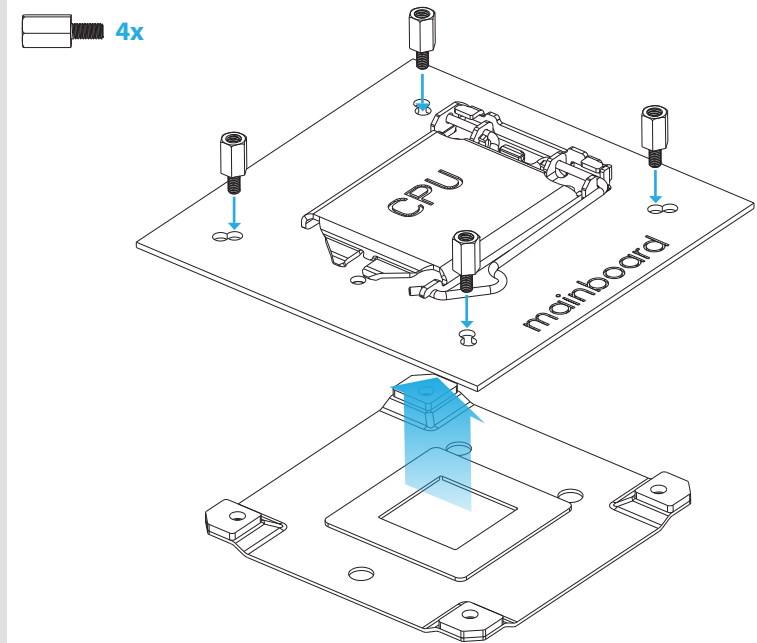
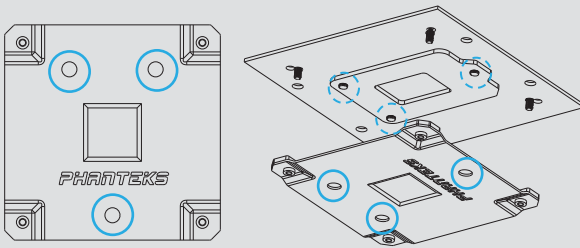
Turn off the power to your system and discharge your body's static electric charge before proceeding with the installation procedure. If you do not feel comfortable with performing the installation procedure, consult a qualified computer technician.

SOCKET 115x INSTALLATION (for socket 2011-3, go to step 2)

STEP 1. BACKPLATE INSTALLATION

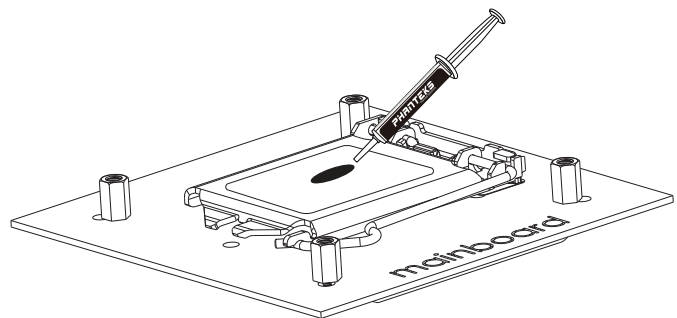
The CPU Backplate is secured with the 4x 115x Standoffs to the motherboard.

⚠ Make sure the backplate orientation matches the CPU socket:



STEP 2. THERMAL PASTE APPLICATION

Apply a pea-size drop of thermal paste to the center of the CPU.

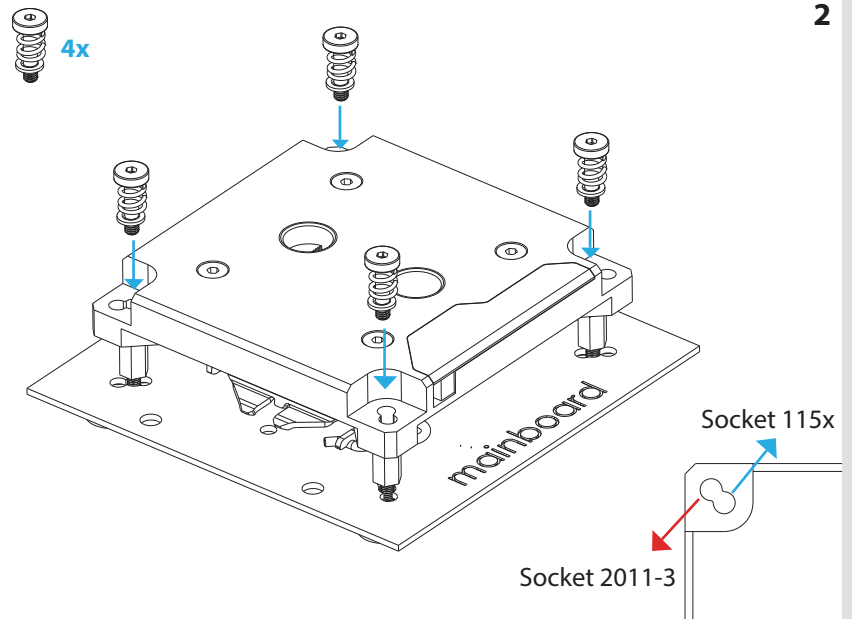
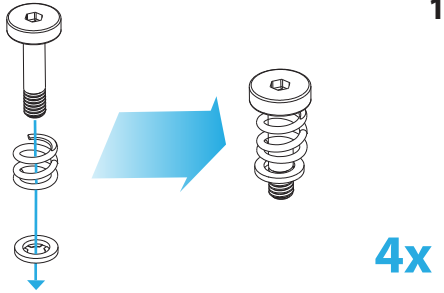


SOCKET 115x INSTALLATION (for socket 2011-3, go to step 3b)

STEP 3a. C360i INSTALLATION

First assemble the 115x Screw, Spring and Washer. Then mount the C360i Block on the CPU Socket.

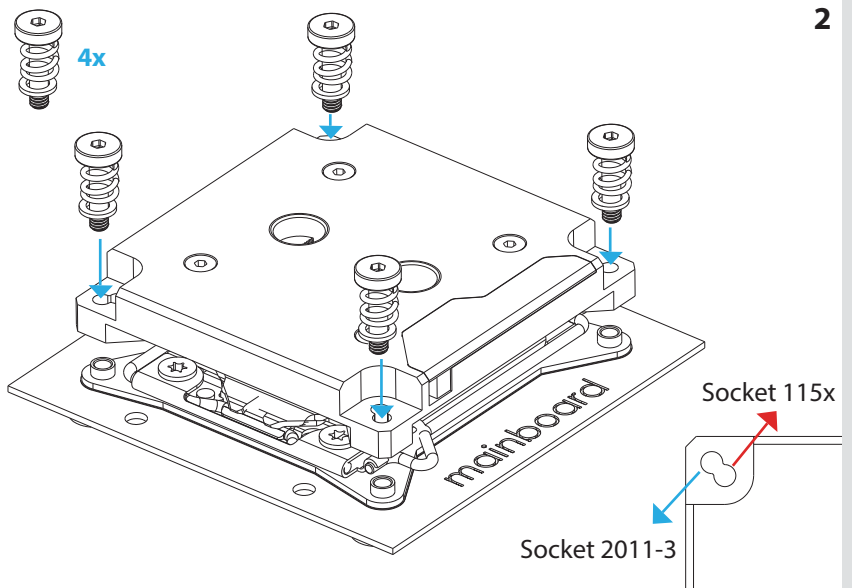
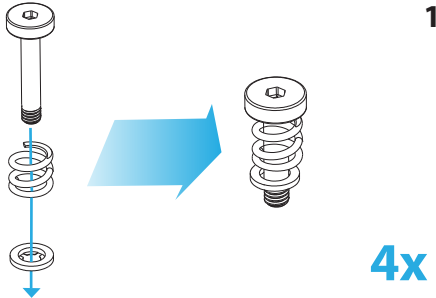
⚠ Do not overtighten the 115x Screws.
(Max 1.5N/m)



STEP 3b. C360i INSTALLATION

First assemble the 2011-3 Screw, Spring and Washer. Then mount the C360i Block on the CPU Socket.

⚠ Do not overtighten the 2011-3 Screws.
(Max 1.5N/m)



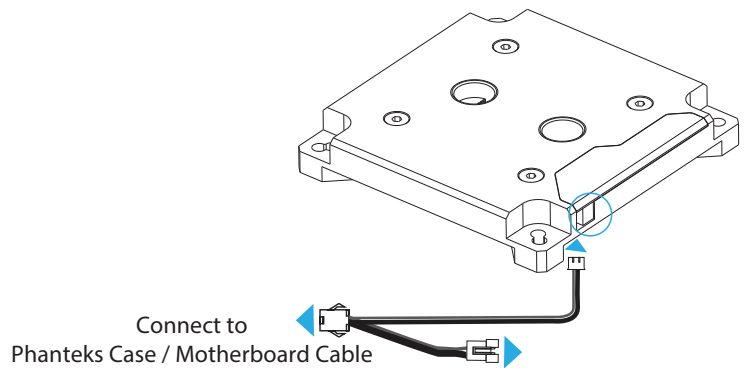
DIGITAL-RGB INSTALLATION

STEP 4. CONNECT D-RGB STRIP

Connect the D-RGB cable to the LED strip in the block. You can lift off the magnetic cover for easy access.

💡 PRO TIP All Phanteks D-RGB products can be daisy-chained together.

💡 PRO TIP You can connect the D-RGB cable to a compatible motherboard with the included D-RGB MB adapter.



Compatible with:

