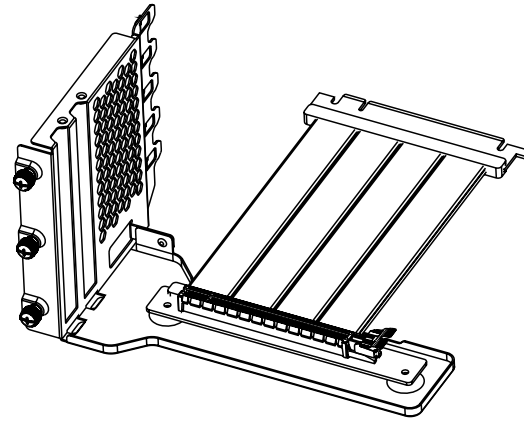


### OPTIONAL UPGRADE

#### VERTICAL GPU BRACKET (PH-VGPUKT4.0\_03)

The G360A chassis supports the Phanteks Vertical GPU Bracket. The Vertical GPU Bracket supports 3 and 4 slot GPU's with access to the GPU connectors on slot 1 and 2.

It can be easily installed in the PCI slot area. Follow the instructions that are included with the Vertical GPU bracket.

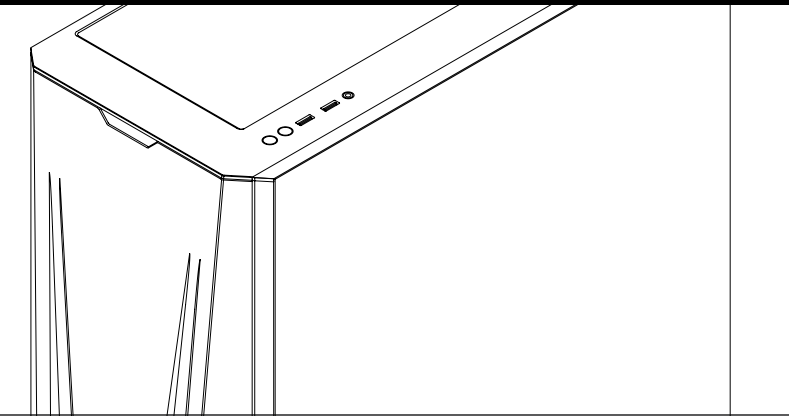


### INSTRUCTIONS

Thank you for choosing Phanteks. Please take a moment to carefully go through the manual. This manual will walk you through all of the features the Eclipse G360A has to offer and installation steps to build a full system.

This manual is intended for:  
Eclipse G360A

Phanteks will not take responsibility for any damages incurred due to incorrect installation or usage of this product.

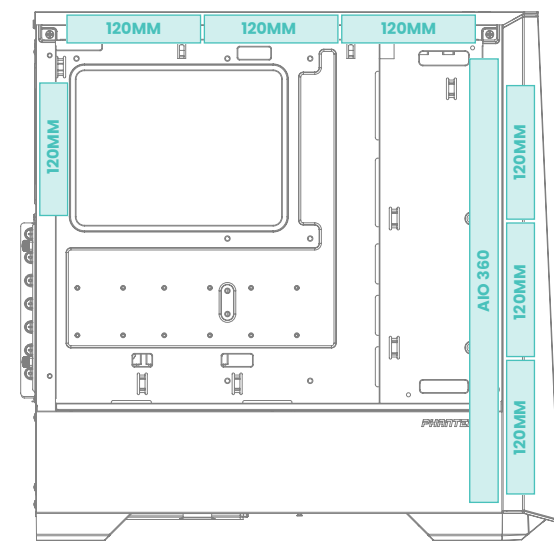


### RECOMMENDED COOLING CONFIGURATION

The Eclipse G360A chassis allows for multiple different cooling configuration. These are four examples to maximize the G360A's cooling potential.

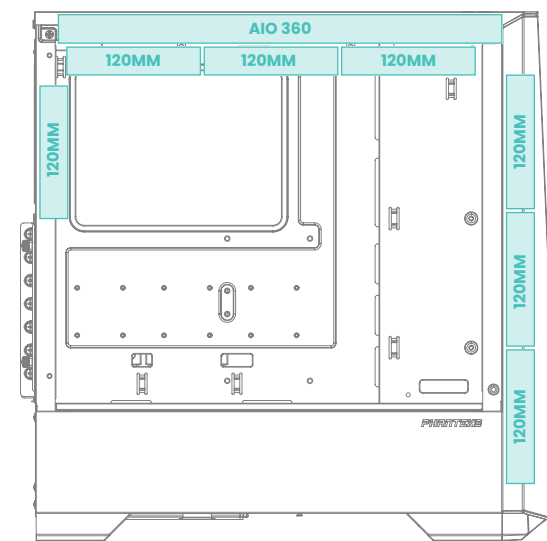
#### 360 FRONT AIO COOLER

Fans can be placed on the front of the chassis behind the front panel.



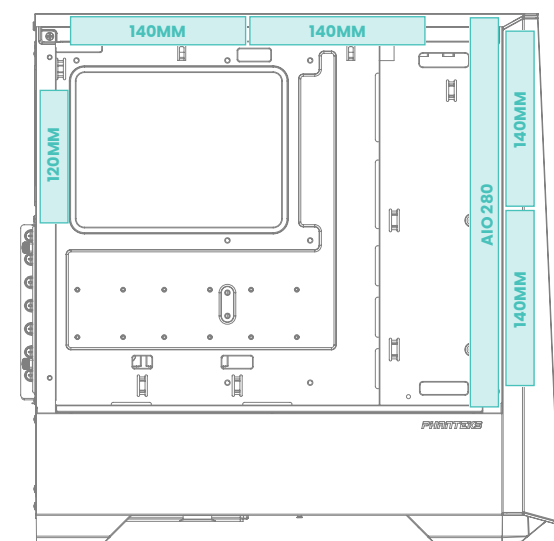
#### 360 TOP AIO COOLER

RAM Height Clearance | 42 mm



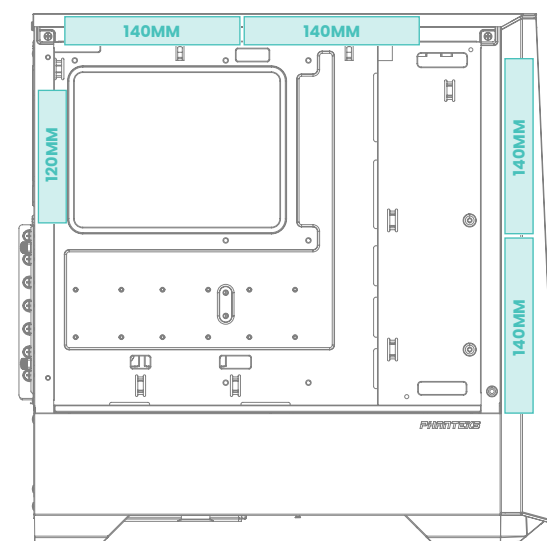
#### 280 FRONT AIO COOLER

Fans can be placed on the front of the chassis behind the front panel.

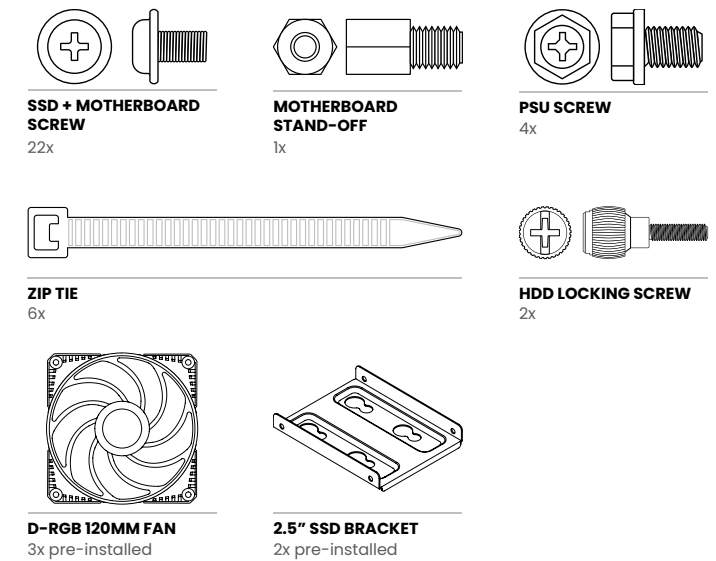


#### 4X 140 MM FANS TOP & FRONT

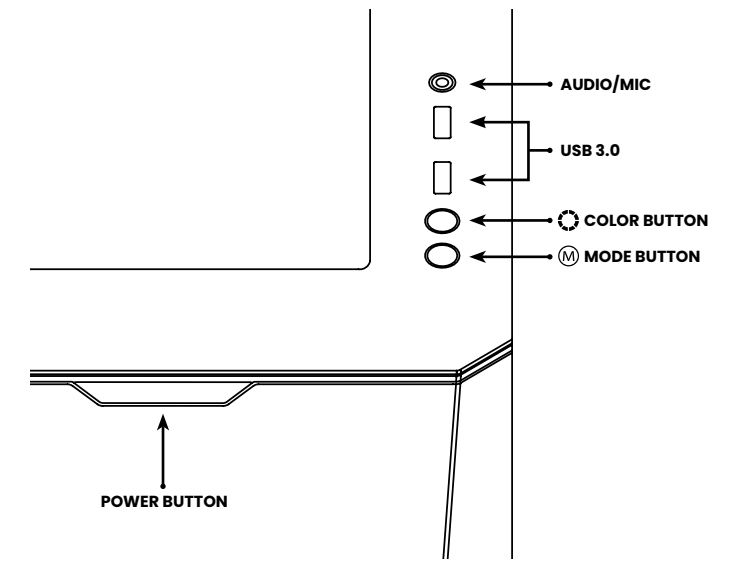
Maximum number of 140 mm fans



### INCLUDED ACCESSORIES



### FRONT I/O



### FAN & RADIATOR SUPPORT

FANS	FRONT	TOP	REAR
120mm	3x	3x	1x
140mm	2x	2x	-

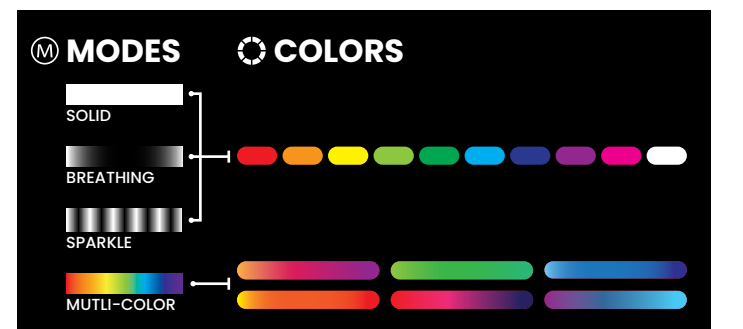
RADIATOR	FRONT	TOP	REAR
120mm	up to 360*	up to 360*	up to 120
140mm	up to 280	-	-

\* It is not possible to install a 360 radiator in the front and top simultaneously

#### CLEARANCE

- CPU cooler height — 162 mm
- RAM height — 42 mm when using top radiator
- GPU length — 400 mm
- Power Supply — 220 / 280 mm
- E-ATX — 280 mm width
- Front 360 radiator — 122x398x65 mm
- Front 280 radiator — 142x330 mm
- Top 360 Radiator — 122x398 mm

### D-RGB CONTROLS



TURN OFF LEDs (M) Press and hold the MODE button for two seconds to turn off LEDs, press again to turn it ON

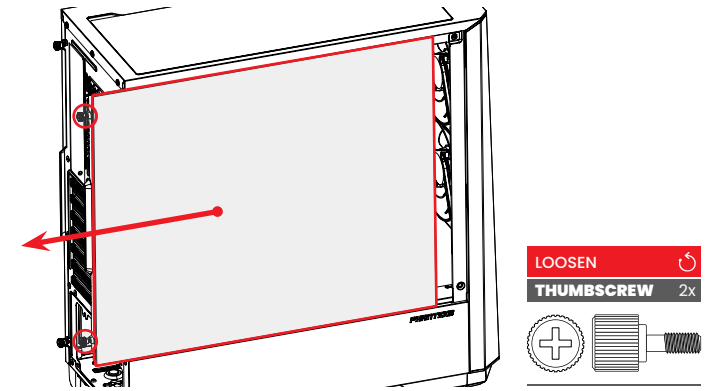
NOTE | D-RGB control buttons are deactivated if connected to a motherboard.

**PRO TIP**  
For a more vibrant D-RGB light effect, place the fans directly under the front panel

### PANEL REMOVAL

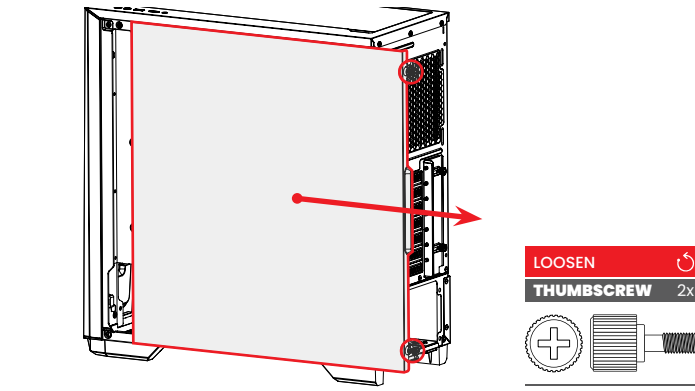
Before starting the installation process, we recommend to remove all external panels. Follow these steps below.

#### LEFT SIDE PANEL



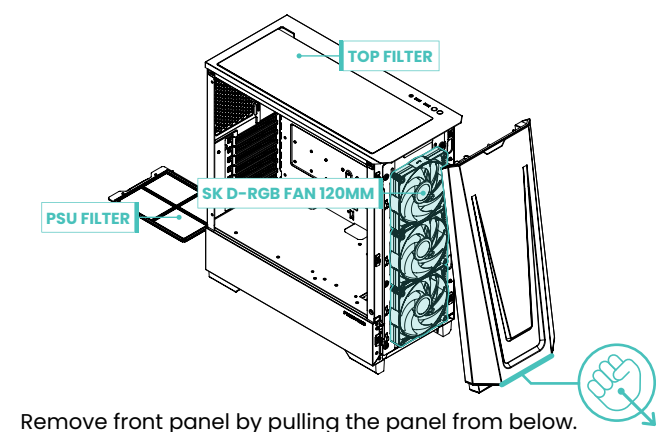
Loosen the 2 captive thumb screws and slide to remove the tempered glass side panel.

#### RIGHT SIDE PANEL



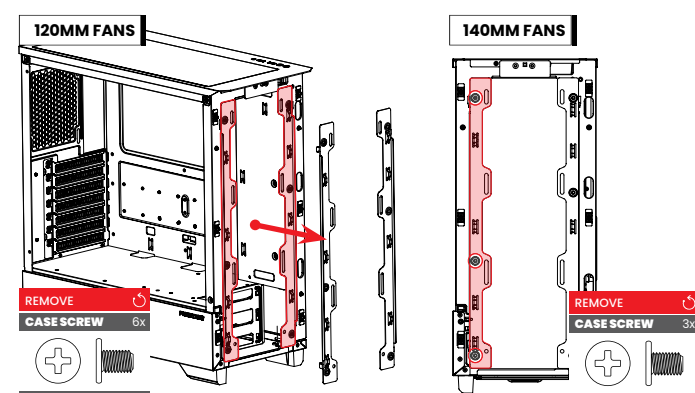
Loosen the 2 captive thumb screws and slide to remove the right side panel.

#### FRONT PANEL & DUST FILTERS



Remove front panel by pulling the panel from below.

#### FRONT FAN BRACKETS

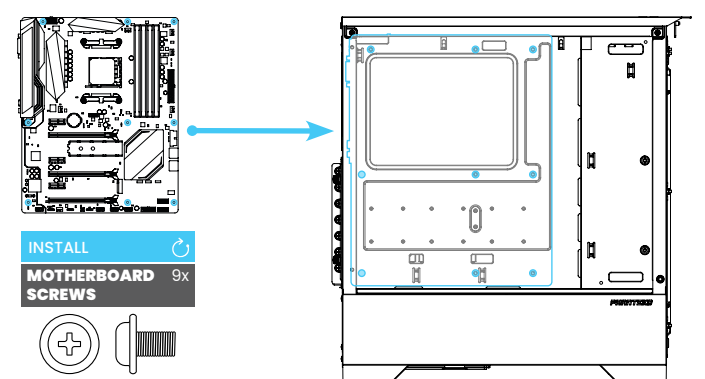


Remove the front brackets for easier installation of the front fans or radiator.

For 140 mm fans remove only the left bracket.

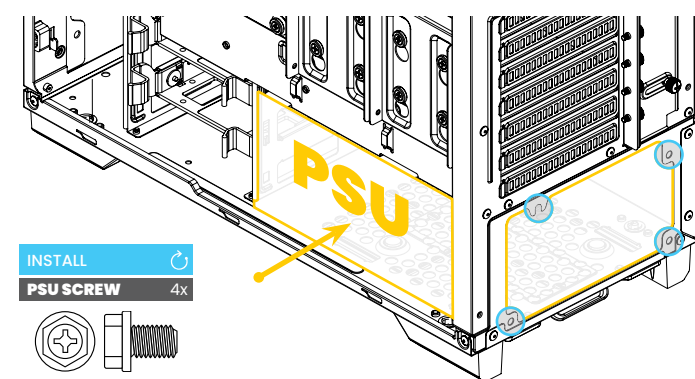
### HARDWARE INSTALLATION

#### MOTHERBOARD



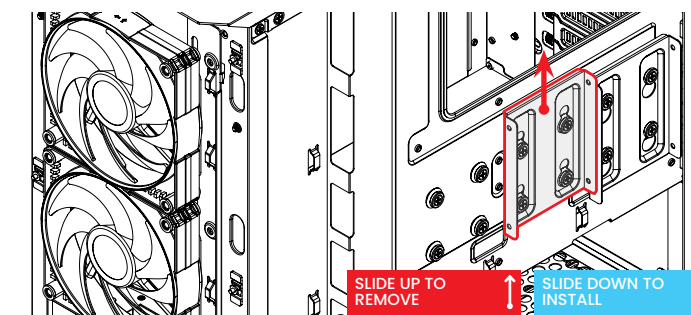
Install the ATX motherboard using 9x motherboard screws. For M-ATX Motherboards follow the motherboard instructions to move the stand-offs to the correct position.

#### POWERSUPPLY

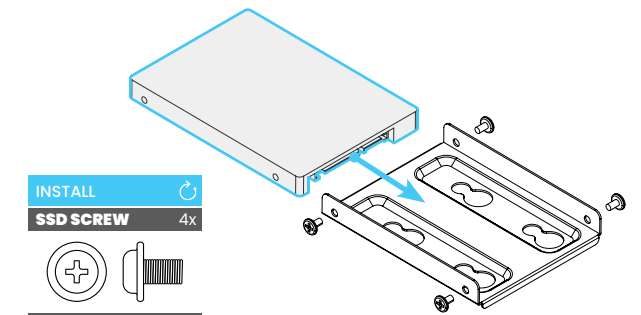


Install the power supply with 4x PSU screws.

### STORAGE | 2.5" SSD

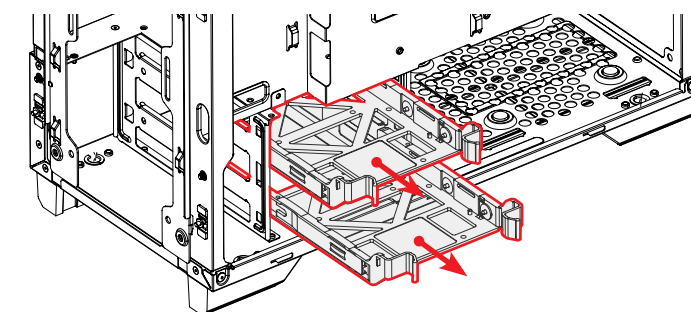


Slide the SSD Bracket up to remove it from the chassis.

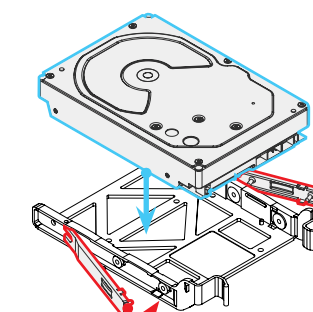


Secure the SSD with 4x SSD screws to the SSD Bracket.

### STORAGE | 3.5" HDD

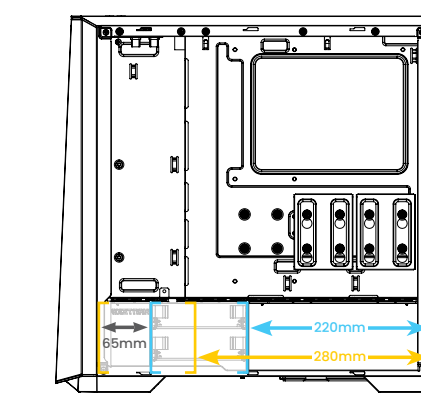


Slide the 3.5" HDD trays out of the HDD cage.

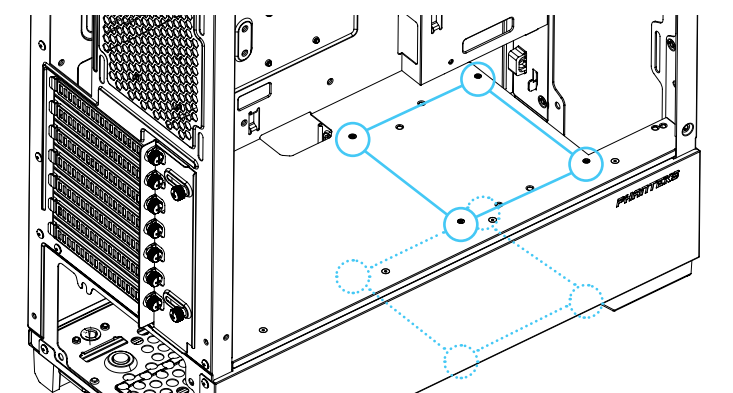


Open the side clips, place the HDD and close the clips to secure the HDD in place.

**PRO TIP**  
The HDD tray can also hold a 2.5" SSD



The HDD cage has 2 possible positions to allow for a front 360 radiator or for additional PSU clearance.

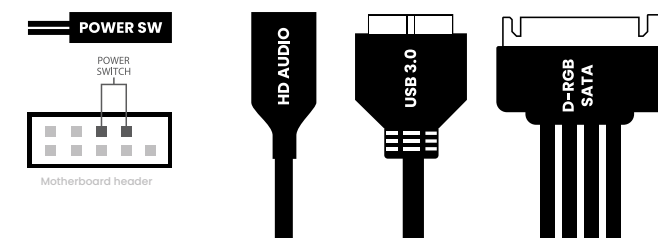


To move (or remove) the HDD Bracket to a different position, remove 8x screws located at the bottom and the PSU cover.

### CABLES

Connect the front I/O cables to the motherboard and power supply.

#### MOTHERBOARD FRONT I/O



More D-RGB lighting products can be connected to the integrated D-RGB controller. Optionally, lighting can be connected and controlled via motherboard software.

#### EXPAND WITH MORE D-RGB PRODUCTS

#### SYNC LIGHTING TO THE MOTHERBOARD

