

# EVOLV SHIFT / SHIFT AIR



**Thank you**  
for choosing

***PHANTEKS***

■ <b>1. What's inside?</b>	
Specifications	3
Exploded view	4
Accessories	5
■ <b>2. Setup your system</b>	
Overview	6
Remove side panels	8
Cable management	9
Installing power supply	10
Adjust case feet	11
Installing motherboard	12
Installing drives	13
Installing cooling	14
Dual AIO setup	15
Installing graphics card	16
Connecting front I/O	18
■ <b>3. Pro tips</b>	
Dust filters	19
Expand & upgrades	20
■ <b>4. Support</b>	
Contact us	21
Warranty	22



# SPECIFICATIONS

---

## CASE SPECIFICATIONS

---

Dimensions	170 mm x 470 mm x 274 mm
Shift (WxHxD)	(6.7 in x 18.5 in x 10.8 in)
Shift Air (WxHxD)	186 mm x 470 mm x 274 mm (7.4 in x 18.5 in x 10.8 in)
Height (Incl. Feet)	484 mm (19.1 in)
Form Factor	Small Form Factor
Materials	Anodized aluminum panels Powder coated steel chassis Tempered glass / Fabric mesh side panels
MB Support	Mini-ITX
PSU Support	SFX
Front I/O	Power button, 2x USB 3.0, RGB button

## PCI SLOTS & DRIVE BAYS

---

PCI slots	2x	
Internal 3.5"	1x	
Internal 2.5"	2x	(Can be upgraded to 3 if no 3.5" is installed)

## FAN 120 MM 140 MM

---

Front	2x	2x (1 installed)
Bottom	1x	1x

## RADIATOR 120 MM 140 MM

---

Front	120	-
Bottom	120	-

For dual aio setup: max 120x27 mm radiators  
See page 22

## INCLUDED ACCESSORIES

---

Premium Fan 140 mm	1x
GPU Bracket	1x
PCI-e x16 Risercable	1x
2.5" SSD bracket	2x

## CLEARANCE

---

CPU Cooler	82mm	(3.2 in)
Graphics card length	350 mm	(13.8 in)
Bottom Radiator *	55 mm	(2.2 in)

\*Depending on GPU length

## SUPPORT

---

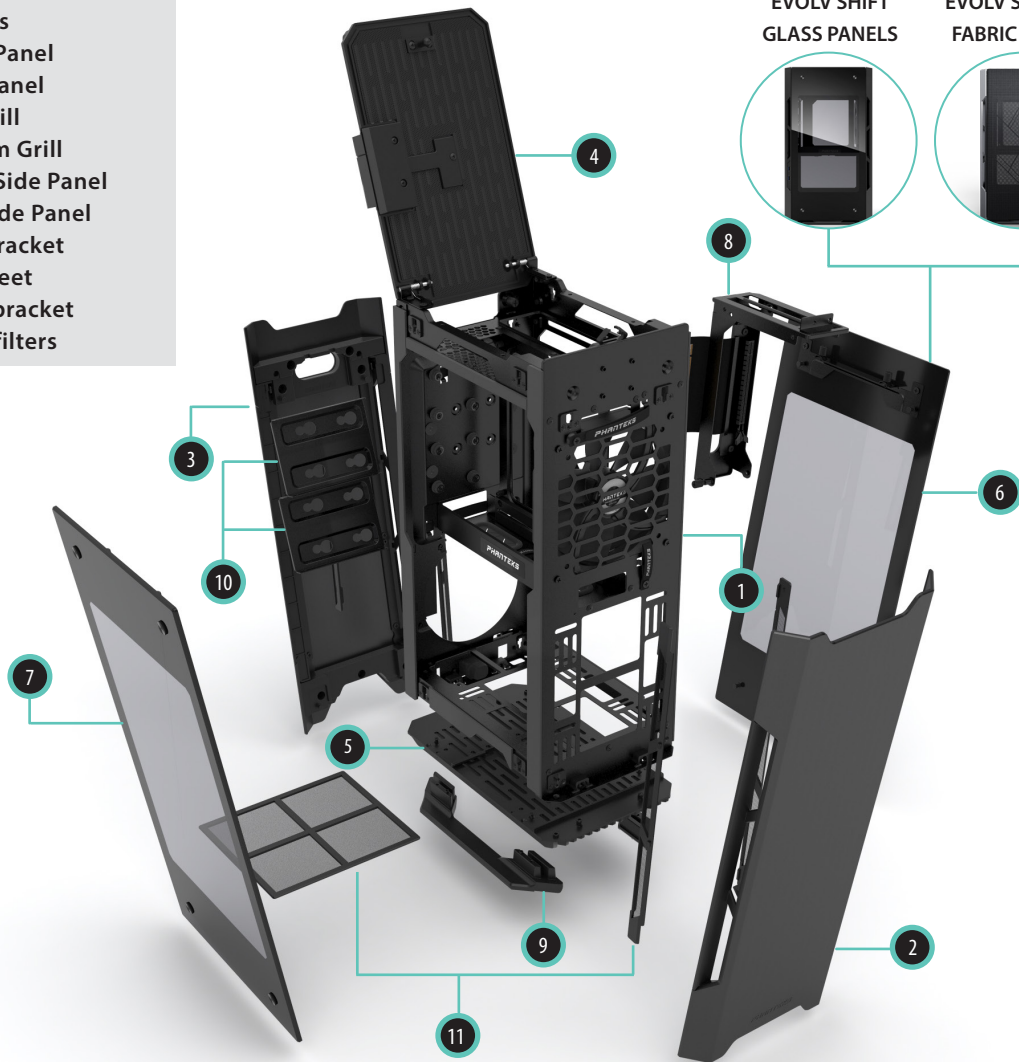
Contact (International)	support@phanteks.com
Contact (America)	support@phanteksusa.com
Warranty	5 Years*

1. Chassis
2. Front Panel
3. Rear Panel
4. Top Grill
5. Bottom Grill
6. Right Side Panel
7. Left Side Panel
8. GPU Bracket
9. Case Feet
10. SSD bracket
11. Dustfilters

EVOLV SHIFT  
GLASS PANELS



EVOLV SHIFT AIR  
FABRIC PANELS



## ACCESSORIES

### 2.5" SSD BRACKET

- 2 Pre-installed
- For 2.5" SSD



### PREMIUM FAN 140 MM







- Pre-installed
- High static pressure
- Silent operation



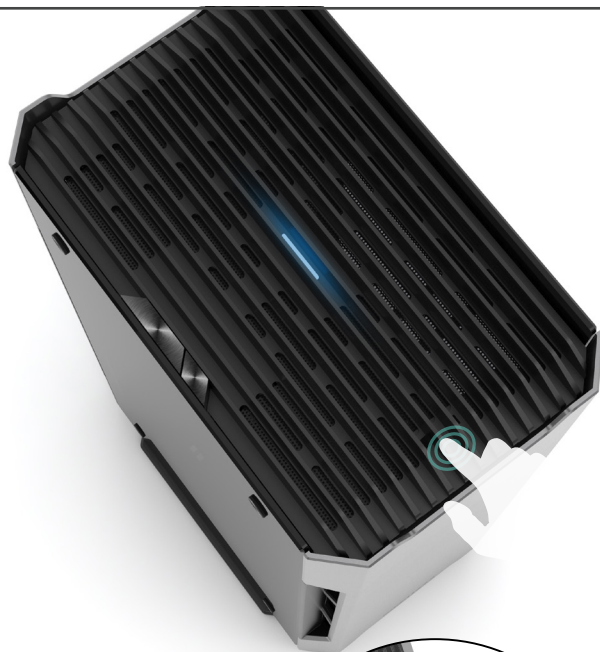
### ACCESSORY BAG

- 6x Zip Tie 150 mm
- Phanteks Logo Badge
- 4x Rubber Feet (for horizontal placement)

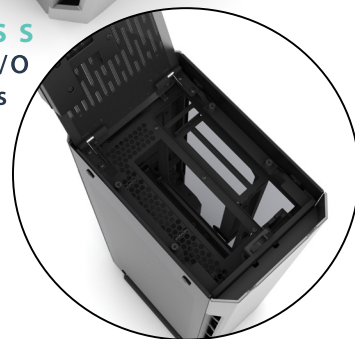
### TOOLBOX

<p>Fan screw</p>  <p>8x</p>	<p>M3x5 mm Motherboard /SSD</p>  <p>18x</p>	<p>6-32x6 mm PSU/GPU bracket</p>  <p>8x</p>	<p>6-32x8 mm HDD screw</p>  <p>4x</p>	<p>6-32x6 mm Thumb screw</p>  <p>1x</p>
				<p>6-32x8 mm + Rubber rings Drop-N-Lock SSD</p>  <p>4x</p>

The Evolv Shift gives you the ultimate flexibility to place it anywhere in the house.



**EASY ACCESS**  
Reach your best I/O  
with just a press



**CABLE ROUTING**  
Route your cables through the  
top or bottom of the rear panel.

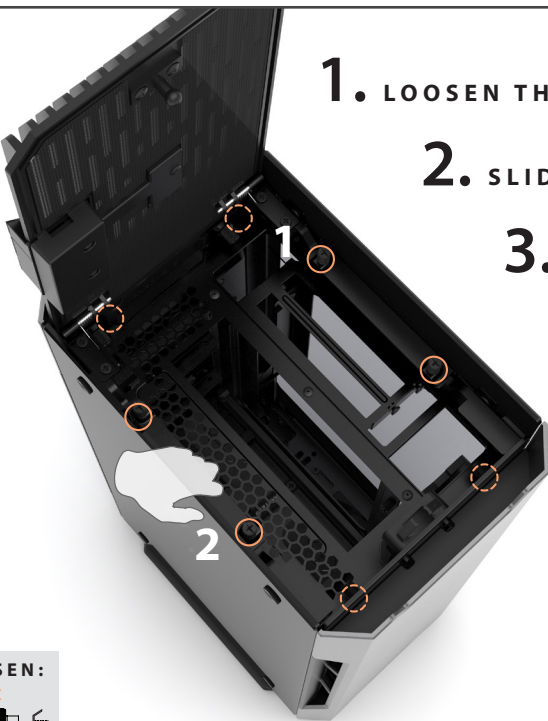


**PLACE VERTICAL**  
Minimize the footprint.



**PLACE HORIZONTAL**  
Use the four rubber feet  
included in the toolbox.





1. LOOSEN THUMB SCREWS

2. SLIDE SIDE PANEL UP

3. TAKE SIDE PANEL OUT

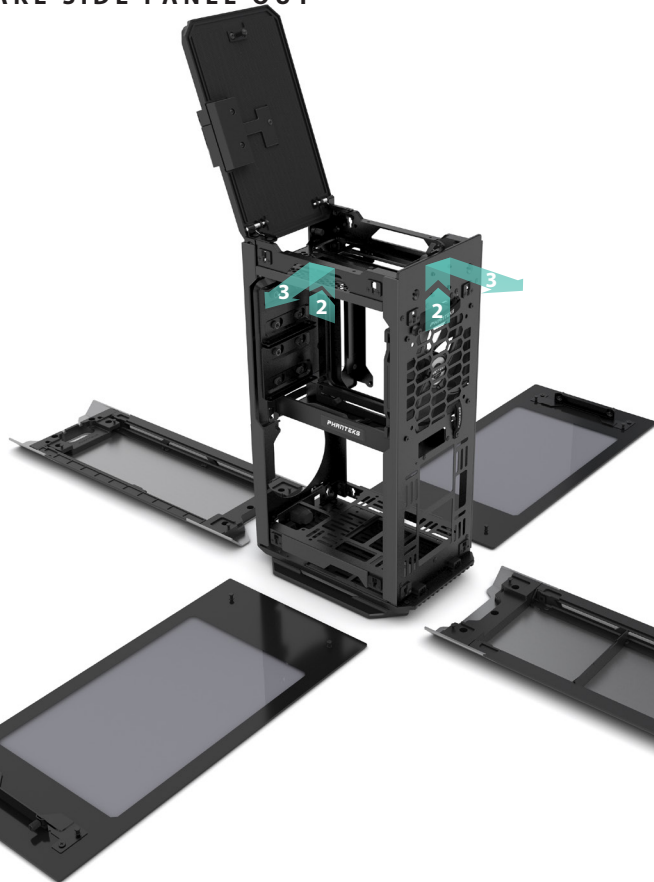
REQUIRES:



FIRST TIME USE

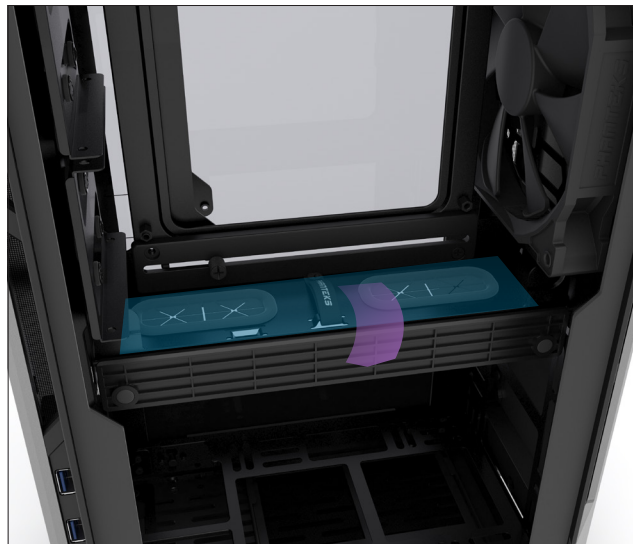
LOOSEN:

8 x



Each panel is mounted securely with 4 slide to lock pins and 2 captive thumb screws. Removing all side panels gives you full 360 degree access to the whole system.

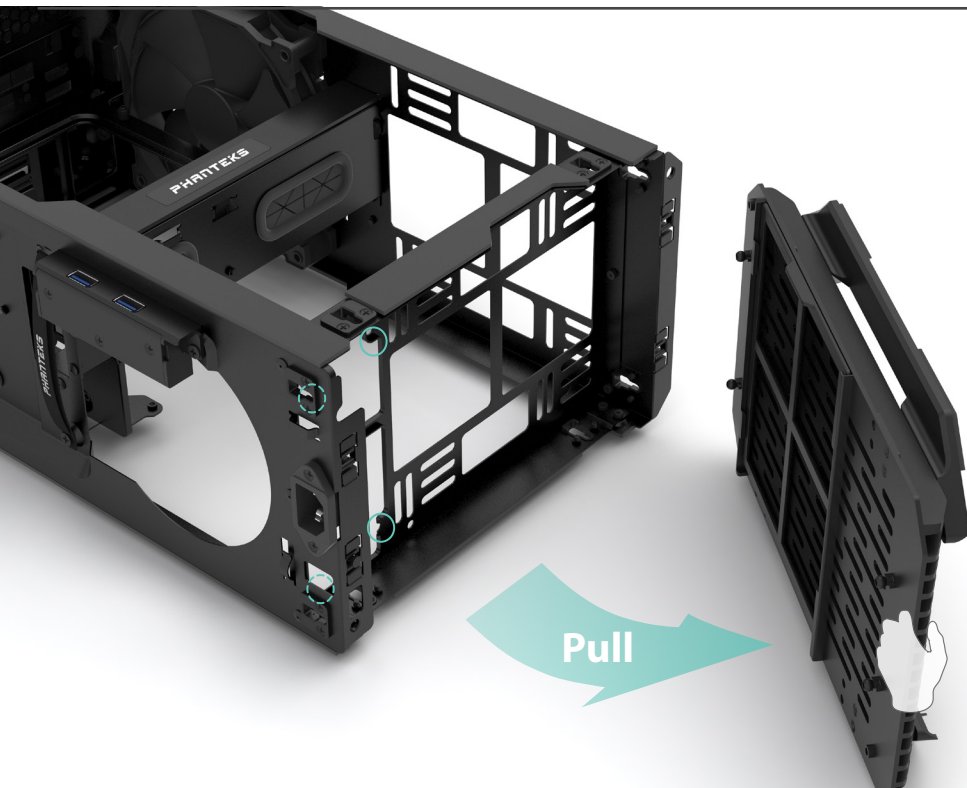
## CABLE MANAGEMENT



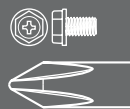
**MOTHERBOARD CABLE COVER**  
Flip open for easy access.

**DEDICATED CABLE AREA**  
Bundle excess cables with velcro ties.

**CLEAR OUT ZONE**  
Keep cables out of this zone for easy  
panel installation.



REQUIRES:

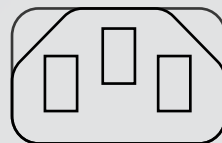


**1.** PULL OFF BOTTOM GRILL

**2.** INSTALL POWERSUPPLY



**3.**



**CONNECT POWER ADAPTER**



*Don't forget to turn on the power switch on your powersupply.*

# ADJUST CASEFEET

## VERTICAL



A. B. B. A.  
CHANGE POSITION

## HORIZONTAL

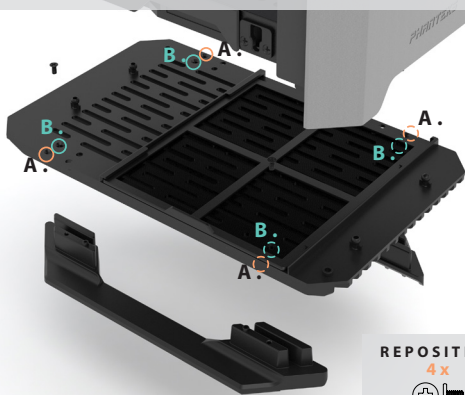
4x RUBBER FEET



REQUIRES:



## 2X FOOT POSITIONS

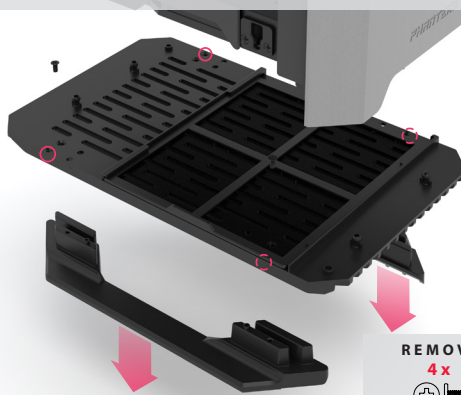


REPOSITION:

4x



## REMOVE FOOT



REMOVE:

4x

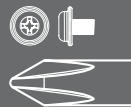


The motherboard is placed vertical with the rear I/O pointing upwards. Please consult your motherboard manual for more detailed instructions.

4 x



### REQUIRES:



*Keep cables clear from fanblades.*



PRO TIP

These standoffs have a special collar to keep the motherboard in place when installing vertically.



4 x



# INSTALLING DRIVES

## 1. EXTERNAL HDD OR SSD

### 3.5" HDD



Mount the 3.5" HDD on the pre-installed rubber rings

4 x

### 2.5" SSD (OPTIONAL)



1. Install Drop-N-Lock Rubber rings

4 x



2. Install SSD Bracket

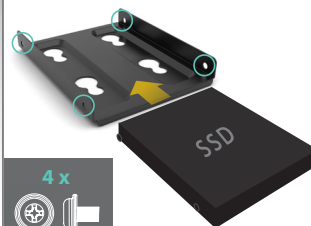
4 x

## REQUIRES:



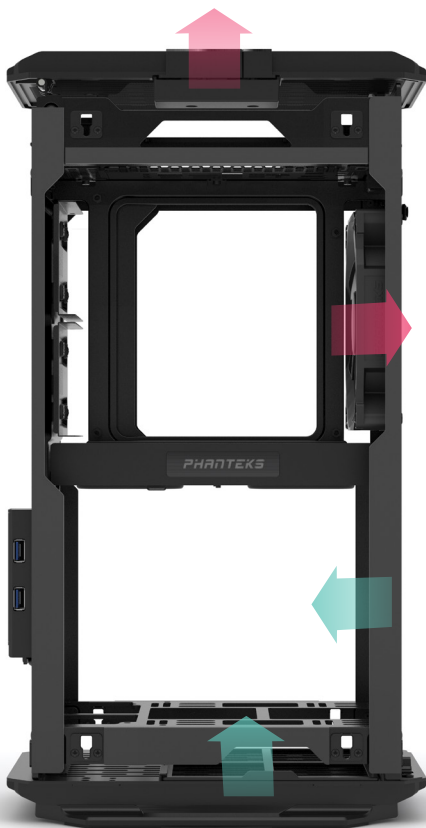
## 2. INTERNAL SSD

2 X

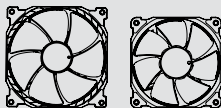
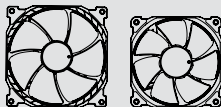


4 x





### FRONT

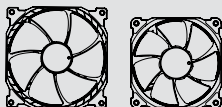


140  
FAN

120  
FAN

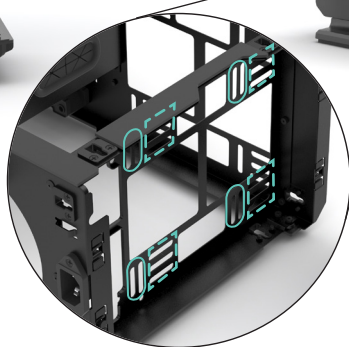


### BOTTOM





140  
FAN

120  
FAN



### MOUNTING HOLES:

 120mm Radiator slots.

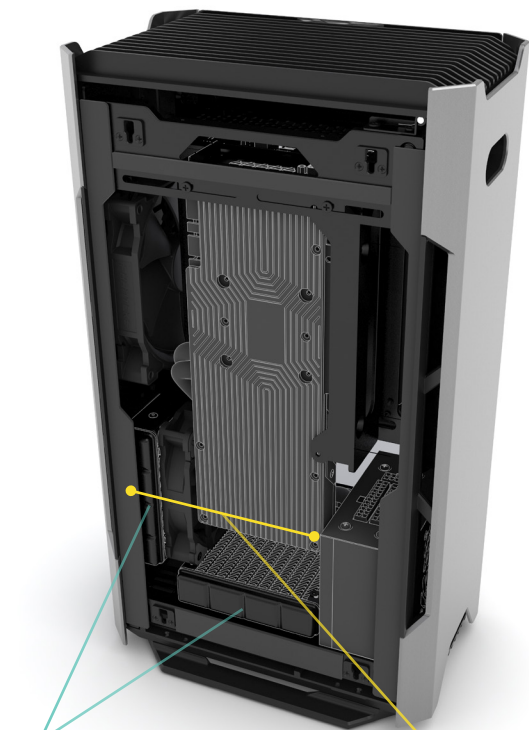
 120mm and 140mm Fan / Radiator slots.



## DUAL AIO SETUP

### DUAL AIO SETUP:

- Support up to dual 120mm radiators
- Max radiator thickness is 27mm.



120mm Radiators

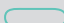
MAX 160mm clearance  
Radiator+Fan+GPU



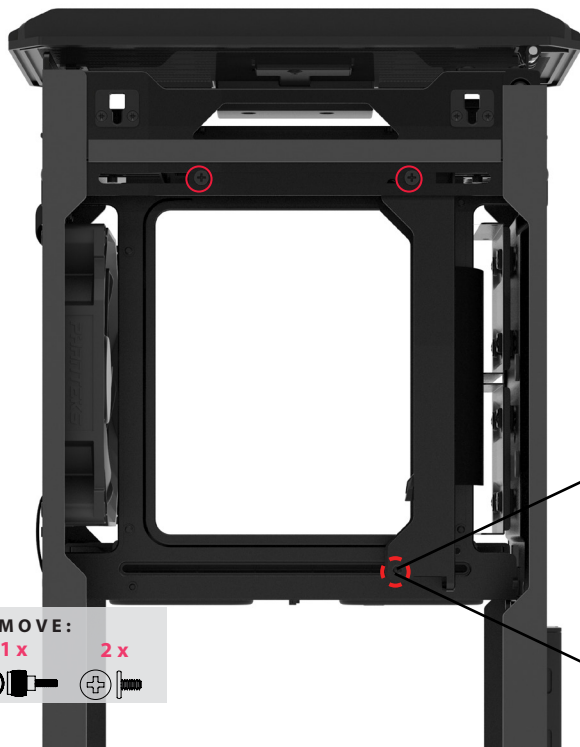
Tubing facing  
window panel



PRO TIP

For a Dual AIO setup, we recommend to use the horizontal slots  facing the radiators sideways.

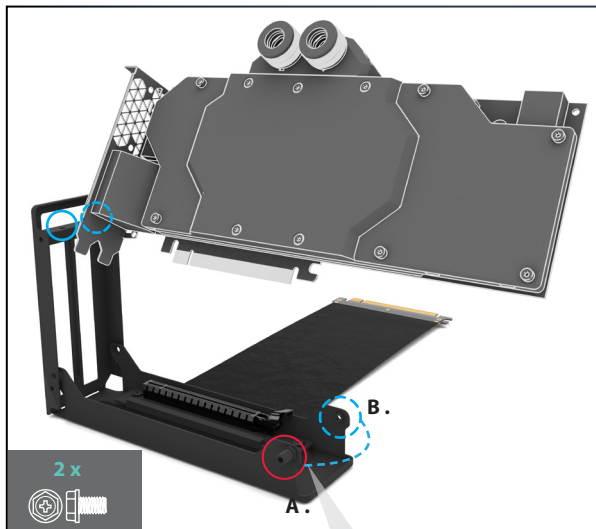
### 1. PREPARE GPU BRACKET



REMOVE:

1 x

2 x



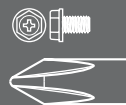
The GPU can be installed in 2 different orientations. Re-position the stand-off screw accordingly.

We recommend to:

- A. Face cooler in for blower style GPU.
- B. Face cooler out for fan cooled GPU.



REQUIRES:



## 2. INSTALL GRAPHICS CARD

- 1 Slide GPU into the case
- 2 Secure with thumbscrew
- 3 Lock with case screws



PRO TIP

The GPU can be installed with the fans pointing inward or outward for the best cooling performance.



PRO TIP

We recommend to install the GPU (aircooled) facing outwards in the Evolv Shift Air model for the best performance.

1 x



2 x



### POWER BUTTON

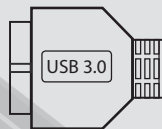
- SHORT** **Short Press:** Turn on your system
- HOLD** **Press and hold:** Turn off your system

### RGB BUTTON

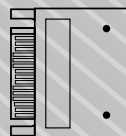
- HOLD** **Press and hold:** LED On/Off
- SHORT** **Short Press:** Choose LED Color (10 colors)
- LONG** **Long Press:** Choose Mode
  - Mode 1: STATIC
  - Mode 2: BREATHING
  - Mode 3: COLOR CYCLE

#### TO MOTHERBOARD

Power SW



#### TO PSU



12V SATA input for  
RGB controller

#### TO PHANTEKS RGB PRODUCTS

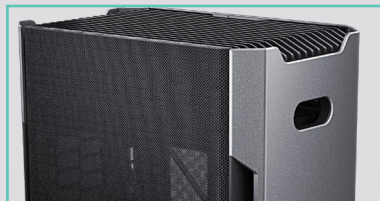


RGB connector  
(expansion)

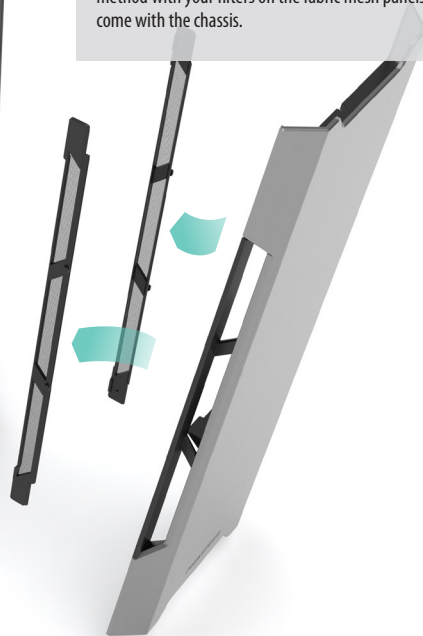
## DUST FILTERS



We recommend to clean your filter once a month for optimal performance.  
Use a vacuum cleaner to easily clean your dust filters.



For Evolv Shift Air users you can use the same cleaning method with your filters on the fabric mesh panels which come with the chassis.



### 2.5" SSD BRACKET

PH-SDBKT\_01

The Evolv Shift has place for a third SSD bracket if there is no 3,5" HDD installed.



### PHANTEKS PH-F120MP / PH-F140MP

The Evolv Shift supports up to 3 casefans.

- High static pressure
- Silent operation
- 120 mm and 140 mm sizes
- Available in Black or White



### MORE RGB

The RGB controller in the Evolv Shift supports up to 5 meters of LED strips. This allows you to expand your RGB lighting with any of our RGB products. Choose to control manually with a single button or connect the RGB controller to your motherboard with the adapter cable. The RGB Motherboard Adapter is sold separately.

### PHANTEKS LED STRIPS



- INTEGRATED MAGNETS
- DURABLE WATERPROOF SILICON HOUSING
- EXPANDABLE DAISY CHAIN CONNECTORS

### PHANTEKS HALOS LUX RGB FRAME



- ADDS RGB LIGHTING TO ANY FAN
- SMOOTH AND EVEN LIGHTING EFFECT
- EXPANDABLE DAISY CHAIN CONNECTORS

## CONTACT US

---

As a Phanteks customer, you are priority number one. We have a dedicated team of employees across the globe working hard every day to make sure we deliver the superior experience you deserve. We are here for you. If you have a question or a concern about our products, we have numerous ways you can reach us. Please choose one most convenient for you to connect with our team.

### CUSTOMER CARE

RMA and Technical Support

Hours : Monday-Friday 9:00-5:00 PST

Global Regions:

[rma@phanteks.com](mailto:rma@phanteks.com)

[support@phanteks.com](mailto:support@phanteks.com)

North America and South America:

Phone number : +1(909)598-2115

[support@phanteksusa.com](mailto:support@phanteksusa.com)

PHANTEKS warrants its products to be free from defects in material and workmanship during the warranty period; when given normal, proper and intended usage. If a product proves to be defective in material or workmanship during the warranty period, PHANTEKS will, at its sole option, repair or replace the product with same product or similar product. The replacement product assumes the remaining warranty of the original product or 30 days, whichever provides longer coverage for the customer.

Duration of warranty:

1. FANS - 5 years
2. I/O Port - 2 years
3. LED On/Off Switch - 2 years
4. Chassis - 5 years
5. Front and Top Panels - 5 years

Please check [www.phanteks.com/Warranty](http://www.phanteks.com/Warranty) for more information.



PIANTEKS

***PHANTEKS***