

# EVOLV SHIFT

**PHANTEKS**  
USER MANUAL



**Thank you**  
for choosing

***PHANTEKS***

## TABLE OF CONTENTS

### ■ 1. What's inside?

Specifications	3
Exploded view	4
Accessories	5

### ■ 2. Setup your system

Overview	6
Remove side panels	8
Cable management	9
Installing power supply	10
Adjust case feet	11
Installing motherboard	12
Installing drives	13
Installing cooling	14
Installing graphics card	16
Connecting front I/O	18

### ■ 3. Pro tips

Dust filters	19
Expand & upgrades	20

### ■ 4. Support

Contact us	21
Warranty	22



# SPECIFICATIONS

## CASE SPECIFICATIONS

<b>Dimension</b> (WxHxD)	170 mm x 470 mm x 274 mm 6.7 in x 18.5 in x 10.8 in
<b>Height incl. Feet</b>	484 mm (19.1 in)
<b>Form Factor</b>	Small Form Factor
<b>Materials</b>	Anodized aluminium panels Powder coated steel chassis Tempered glass side panels
<b>MB Support</b>	Mini ITX
<b>PSU Support</b>	SFX
<b>Front I/O</b>	2x USB 3.0, Power button, RGB button
<b>Side Window</b>	Yes, Tempered glass both sides

## PCI SLOTS & DRIVE BAYS

<b>PCI slots</b>	2
<b>3.5" HDD</b>	1x
<b>2.5" SSD</b>	2x (can be upgraded to 3 if no 3,5" is installed)

<b>FAN</b>	<b>120 mm</b>	<b>140 mm</b>
<b>Front</b>	2x	2x (1 installed)
<b>Bottom</b>	1x	1x

<b>RADIATOR</b>	<b>120 mm</b>	<b>140 mm</b>
<b>Front</b>	120	-
<b>Bottom</b>	120	-

\* For dual aio setup: max 120x27mm radiators.

## INCLUDED ACCESSORIES

<b>Premium fan 140 mm</b>	1x
<b>GPU bracket</b>	1x
<b>PCI-e x16 Risercable</b>	1x
<b>2.5" SSD bracket</b>	2x

## CLEARANCE

<b>CPU Cooler</b>	82 mm	(3.2 in)
<b>Graphics card length</b>	350 mm	(13.8 in)
<b>Bottom Radiator</b>	55 mm	(2.2 in)

\* Depending on GPU length.

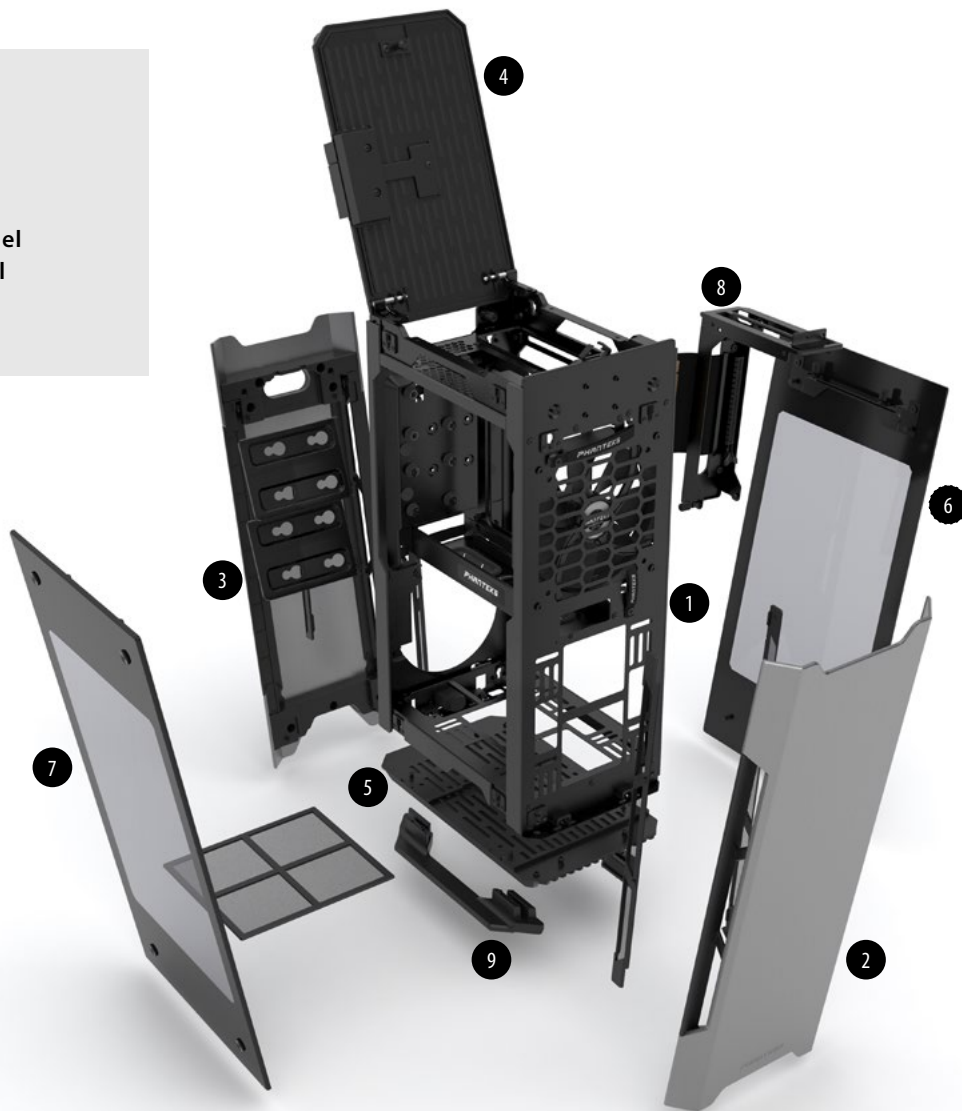
## SUPPORT

<b>Contact</b> (International)	support@phanteks.com
<b>Contact</b> (North and South America)	support@phanteksusa.com
<b>Warranty</b>	5 Years*

\*see page 22

## EXPLODED VIEW

1. Chassis
2. Front Panel
3. Rear Panel
4. Top Grill
5. Bottom Grill
6. Right Side Panel
7. Left Side Panel
8. GPU Bracket
9. Case Feet



## ACCESSORIES

### 2.5" SSD BRACKET

- 2 Pre-installed
- For 2.5" SSD



### PREMIUM FAN 140 MM







- Pre-installed
- High static pressure
- Silent operation



### ACCESSORY BAG

- 6x Zip Tie 150 mm
- Phanteks Logo Badge
- 4x Rubber Feet (for horizontal placement)

## TOOLBOX

<p>Fan screw</p>  <p>8x</p>	<p>M3x5 mm Motherboard /SSD</p>  <p>18x</p>	<p>6-32x6 mm PSU/GPU bracket</p>  <p>8x</p>	<p>6-32x8 mm HDD screw</p>  <p>4x</p>	<p>6-32x6 mm Thumb screw</p>  <p>1x</p>
<p>6-32x8 mm + Rubber rings Drop-N-Lock SSD</p>  <p>4x</p>				



## OVERVIEW

The Evolv Shift gives you the ultimate flexibility to place it anywhere in the house.



**EASY ACCESS**  
Reach your best I/O  
with just a press



**CABLE ROUTING**  
Route your cables through the  
top or bottom of the rear panel.



**PLACE VERTICAL**  
Minimize the footprint.



**PLACE HORIZONTAL**  
Use the four rubber feet  
included in the toolbox.



## REMOVE SIDE PANELS

REQUIRE:



FIRST TIME USE

1. LOOSEN THUMB SCREWS

2. SLIDE SIDE PANEL UP

3. TAKE SIDE PANEL OUT



LOOSEN:

8 x



PRO TIP

Each panel is mounted securely with 4 slide to lock pins and 2 captive thumb screws. Removing all side panels gives you full 360 degree access to the whole system.

## CABLE MANAGEMENT



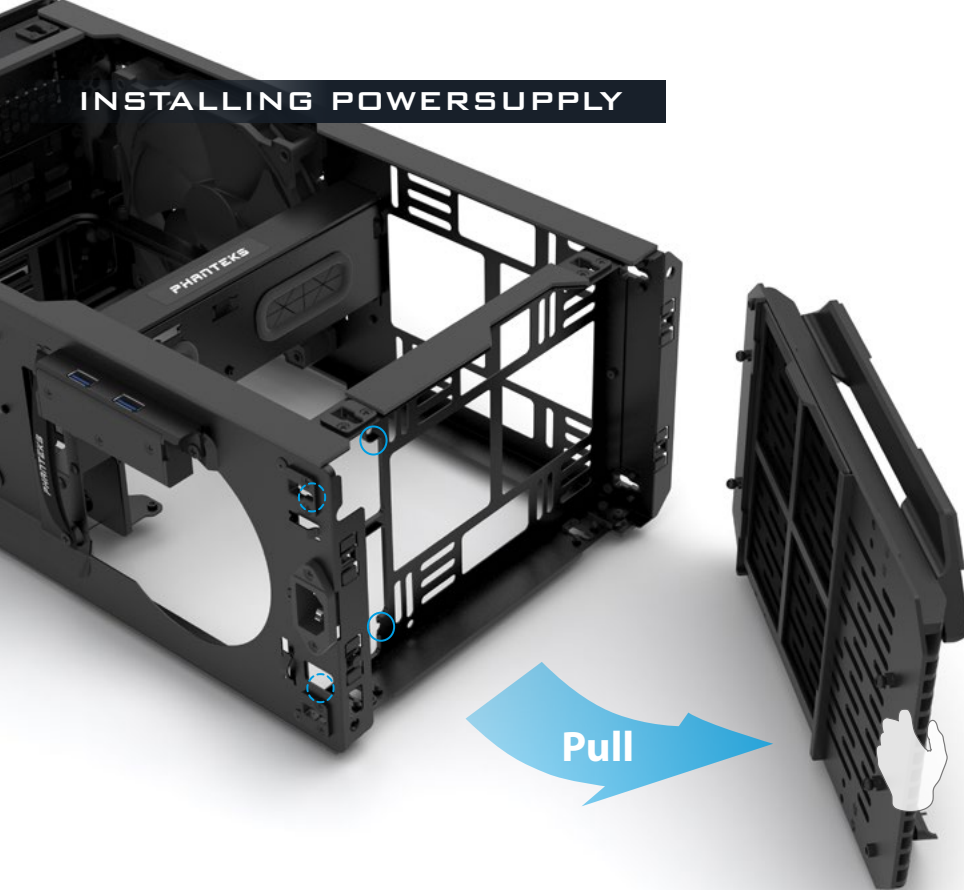
**MOTHERBOARD CABLE COVER**  
Flip open for easy access.

**DEDICATED CABLE AREA**  
Bundle excess cables with velcro ties.

**CLEAR OUT ZONE**  
Keep cables out of this zone for easy  
panel installation.

## INSTALLING POWERSUPPLY

REQUIRE:

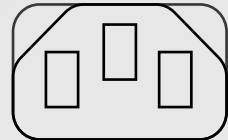


**1.** PULL OFF BOTTOM GRILL


**2.** INSTALL POWERSUPPLY



**3.**



**CONNECT POWER ADAPTER**

 *Don't forget to turn on the power switch on your powersupply.*

# ADJUST CASE FEET

REQUIRE:



## VERTICAL



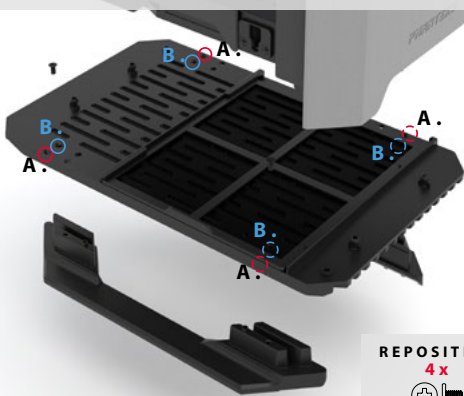
A. B. B. A.  
CHANGE POSITION

## HORIZONTAL

4x RUBBER FEET



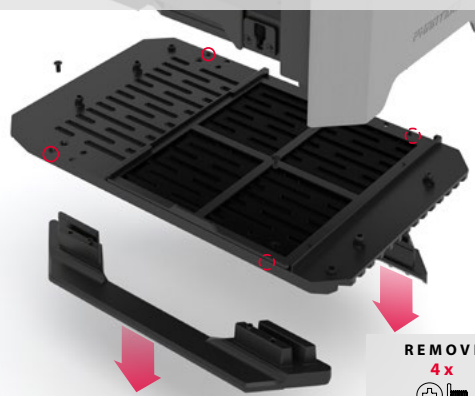
## 2X FOOT POSITIONS



REPOSITION:  
4x



## REMOVE FOOT



REMOVE:  
4x

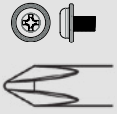


## INSTALLING MOTHERBOARD

The motherboard is placed vertical with the rear I/O pointing upwards. Please consult your motherboard manual for more detailed instructions. **4 x**



REQUIRE:



*Keep cables clear from fanblades.*



These standoffs have a special collar to keep the motherboard in place when installing vertically.



**4 x**



# INSTALLING DRIVES

## 1. EXTERNAL HDD OR SSD

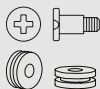
### 3.5" HDD



Mount the 3.5" HDD on the pre-installed rubber rings

4 x

### 2.5" SSD (OPTIONAL)



1. Install Drop-N-Lock Rubber rings

4 x



2. Install SSD Bracket

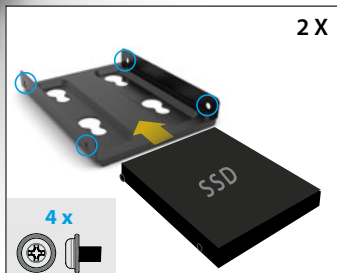
4 x



## REQUIRE:



## 2. INTERNAL SSD

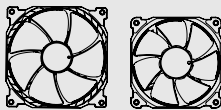
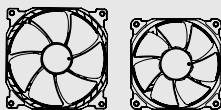




# INSTALLING COOLING



## FRONT

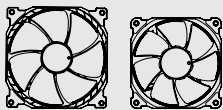


140  
FAN

120  
FAN

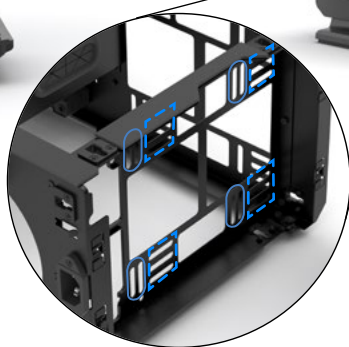


## BOTTOM

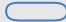


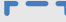
140  
FAN

120  
FAN



## MOUNTING HOLES:

 120mm Radiator slots.

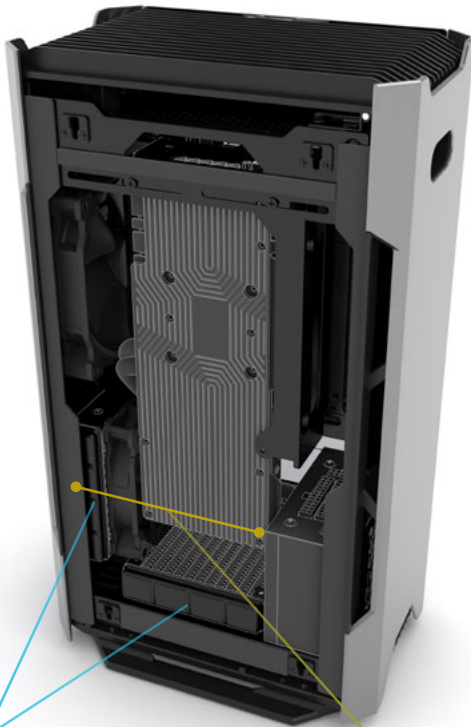
 120mm and 140mm Fan / Radiator slots.

REQUIRE:



## DUAL AIO SETUP:

- Support up to dual 120mm radiators
- Max radiator thickness is 27mm.



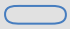
120mm Radiators



Tubing facing window panel

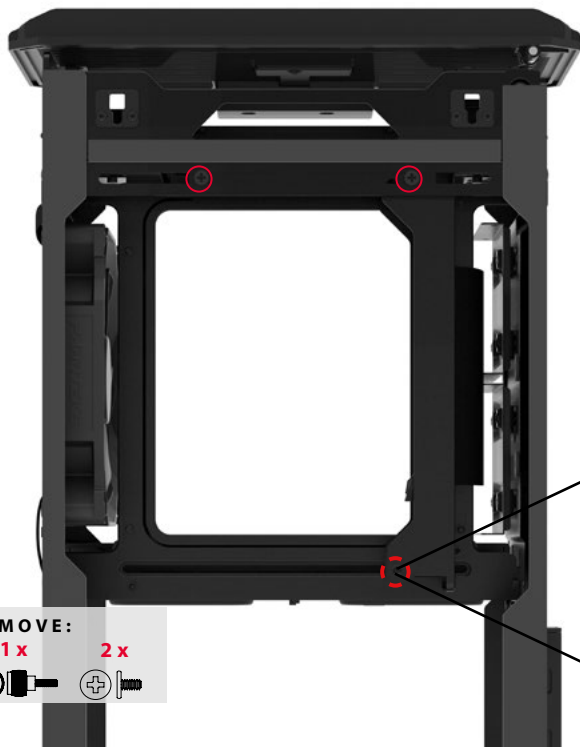
MAX 160mm clearance  
Radiator+Fan+GPU



For a Dual AIO setup, we recommend to use the horizontal slots  facing the radiators sideways.

## INSTALLING GRAPHICS CARD

### 1. PREPARE GPU BRACKET

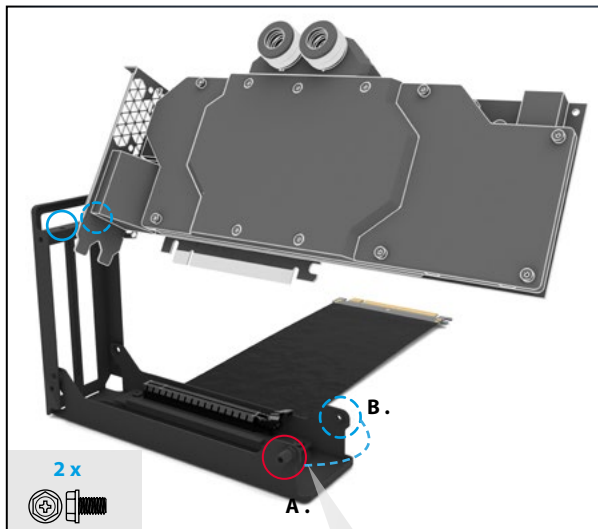


REMOVE:

1 x



2 x



**PRO TIP** The GPU can be installed in 2x different orientations. Re-position the stand-off screw accordingly.

We recommend to:

- A. Face cooler in for aircooled GPU.
- B. Face cooler out for watercooled GPU.



REQUIRE:



## 2. INSTALL GRAPHICS CARD

- 1 Slide GPU into the case
- 2 Secure with thumbscrew
- 3 Lock with case screws



Slide the GPU bracket in the desired position with optimal clearance for your watercooling hardware, see page 15.

1 x

2 x



## POWER BUTTON

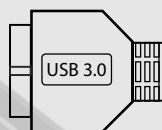
- SHORT** **Short Press:** Turn on your system
- HOLD** **Press and hold:** Turn off your system

## RGB BUTTON

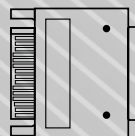
- HOLD** **Press and hold:** LED On/Off
- SHORT** **Short Press:** Choose LED Color (10 colors)
- LONG** **Long Press:** Choose Mode
  - Mode 1: STATIC
  - Mode 2: BREATHING
  - Mode 3: COLOR CYCLE

### TO MOTHERBOARD

Power SW



### TO PSU



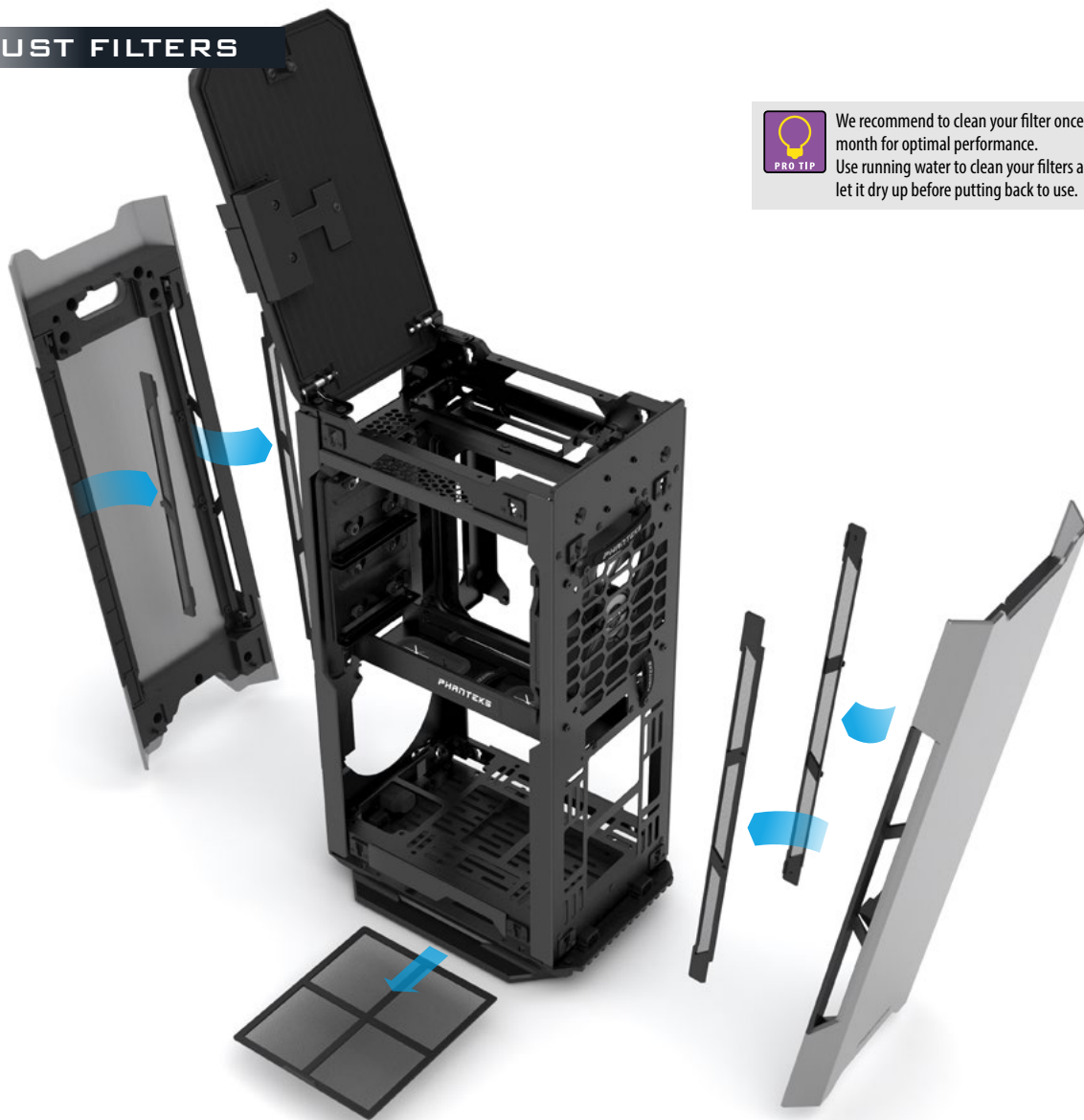
12V SATA input for  
RGB controller

### TO PHANTEKS RGB PRODUCTS



RGB connector  
(expansion)

## DUST FILTERS



We recommend to clean your filter once a month for optimal performance. Use running water to clean your filters and let it dry up before putting back to use.



## EXPAND AND UPGRADE

### 2.5" SSD BRACKET

PH-SDBKT\_01

The Evolv Shift has place for a third SSD bracket if there is no 3,5" HDD installed.



### PHANTEKS PH-F120MP / PH-F140MP

The Evolv Shift supports up to 3 casefans.

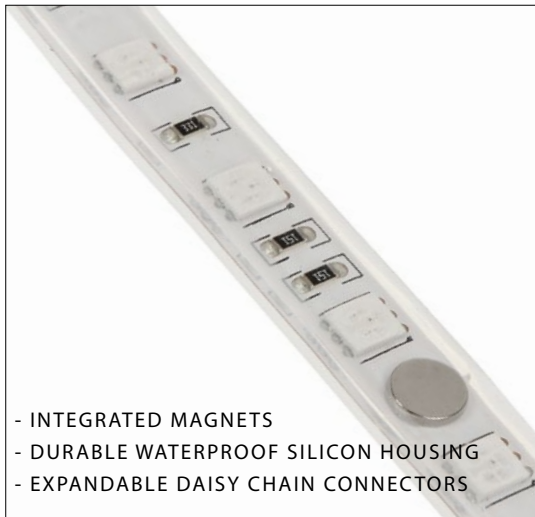
- High static pressure
- Silent operation
- 120 mm and 140 mm sizes
- Available in Black or White



### MORE RGB

The RGB controller in the Evolv Shift supports up to 5 meters of LED strips. This allows you to expand your RGB lighting with any of our RGB products. Choose to control manually with a single button or connect the RGB controller to your motherboard with the adapter cable.

### PHANTEKS LED strips



- INTEGRATED MAGNETS
- DURABLE WATERPROOF SILICON HOUSING
- EXPANDABLE DAISY CHAIN CONNECTORS



## CONTACT US

As a Phanteks customer, you are priority number one. We have a dedicated team of employees across the globe working hard every day to make sure we deliver the superior experience you deserve. We are here for you. If you have a question or a concern about our products, we have numerous ways you can reach us. Please choose one most convenient for you to connect with our team.

### CUSTOMER CARE

RMA and Technical Support

Hours : Monday-Friday 9:00-5:00 PST

Global Regions:

[rma@phanteks.com](mailto:rma@phanteks.com)

[support@phanteks.com](mailto:support@phanteks.com)

North America and South America:

Phone number : +1(909)598-2115

[support@phanteksusa.com](mailto:support@phanteksusa.com)

## WARRANTY

PHANTEKS warrants its products to be free from defects in material and workmanship during the warranty period; when given normal, proper and intended usage. If a product proves to be defective in material or workmanship during the warranty period, PHANTEKS will, at its sole option, repair or replace the product with same product or similar product. The replacement product assumes the remaining warranty of the original product or 30 days, whichever provides longer coverage for the customer.

Duration of warranty:

1. FANS - 5 years
2. I/O Port - 2 years
3. LED On/Off Switch - 2 years
4. Chassis - 5 years
5. Front and Top Panels - 5 years

Please check [www.phanteks.com/Warranty](http://www.phanteks.com/Warranty) for more information.

PIANTEKS

***PHANTEKS***