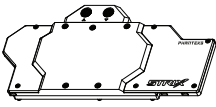
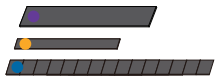

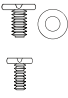

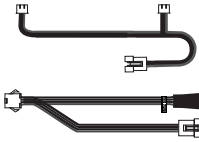


PACKAGE CONTENTS

V1.1 - For latest version check www.Phanteks.com

	Glacier G1080 Water Block (Asus Strix 1080Ti) QTY: 1		Thermal Pads QTY: 3 Description: For applying on circuit board on GPU		Thermal Compound (PH-NDC_01) QTY: 1
	M2.5x5 Washers: QTY: 10 (Spare 4pcs) QTY: 8 (Spare 4pcs) M2x5 Washers: QTY: 15 (Spare 2pcs)		Phanteks Plugs QTY: 2		Phanteks RGB Cable for Phanteks case QTY: 1 Phanteks RGB Adapter for motherboard or GPU QTY: 1

DISCLAIMER - This product is intended for advanced users. Please consult with a qualified technician for installation, improper installation may result in damage to your equipment. While all efforts have been made to provide the most comprehensive information possible, Phanteks assumes no liability expressed or implied for any damage(s) occurring to your components as a result of using Phanteks cooling products, either due to mistake or omission on our part in the below instructions, or due to failure or defect in the Phanteks cooling products.

WARNING - Turn off the power to your system and discharge your body's static electric charge by touching a grounded surface – for example, the metal surface of the power supply or chassis – before performing any hardware procedure. Phanteks assumes no liability for any damage, caused directly or indirectly, by improper installation of any components. If you do not feel comfortable with performing the installation procedure, consult a qualified computer technician.

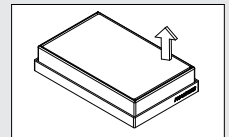
***Please do not disassemble the water block. Warranty will be voided.**

INSTALLATION

STEP 1. REMOVING STOCK COOLER



Take out the top EVA-FOAM from the box to use as a base for your GPU placement.



Remove all highlighted screws. All heat sink assembly screws should be removed, including self-adhesive washers on both sides of the PCB (if present). Unfasten the two screws on the rear I/O.



Make sure to unplug the RGB LED and fan cables when you remove the stock cooler and backplate.

Unfasten the screws on the rear I/O and PCBA bracket. Remove the PCBA bracket and fasten the screws (use the included M2x5) back without the PCBA bracket. (You no longer need the PCBA bracket)

STEP 2. APPLYING THERMAL COMPOUND

Wipe off the remains of the original thermal compound until components and circuit board are completely clean (we recommend using an isopropanol cleaning pad). Apply a light coat (see image) of the PH-NDC-01 thermal paste.



Lightly coat NVIDIA GPU Chip with the enclosed thermal paste.

STEP 3. PLACING THERMAL PADS ON PCB

Remove the protective film and place thermal pads on the PCB as shown on the picture.



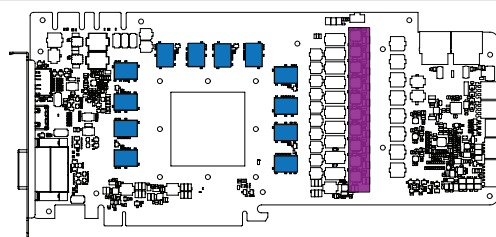
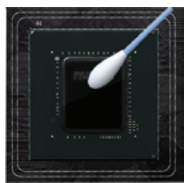
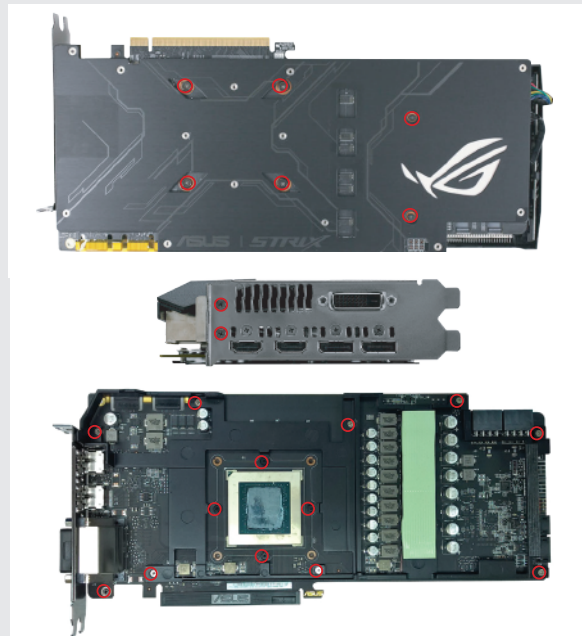
Make sure to remove the protective film on both sides of the thermal pads.

Position 1: 16 x 13 x 1.5mm

Position 2: 20 x 90 x 1.5mm



Adjust and cut the length according to MOSFET chips for thermal pad 2.



For Memory IC 

For MOSFET 

STEP 4. PLACE THE BLOCK ON TO THE GRAPHICS CARD

Carefully position the water block onto the graphics card. During the process please make sure you align the mounting holes on the PCB with the holes on the water block.

STEP 5. INSTALLING THE BACK PLATE

Align the backplate holes with the waterblock and use the included M2.5x5 (shown in blue) to tighten the block to the GPU core and back plate.



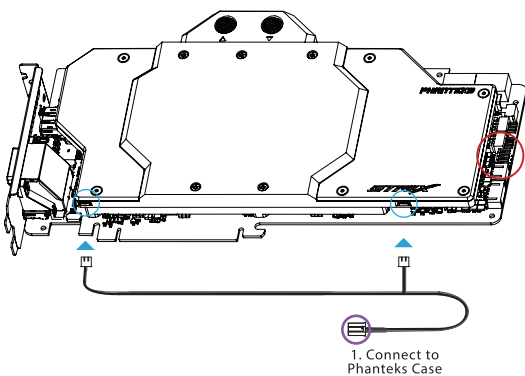
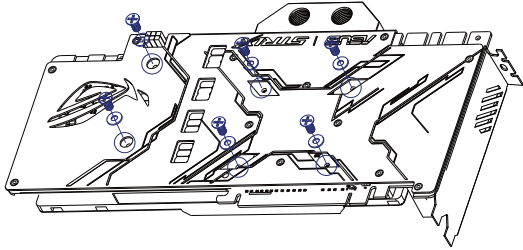
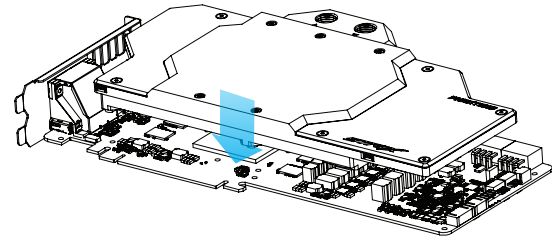
Make sure to lay the GPU with the waterblock flat down without resting on the PCI bracket. Do not use too much force by pressing the block down to the PCB. Chip dies are prone to cracking.

STEP 6. CONNECTING THE PHANTEKS RGB CABLE

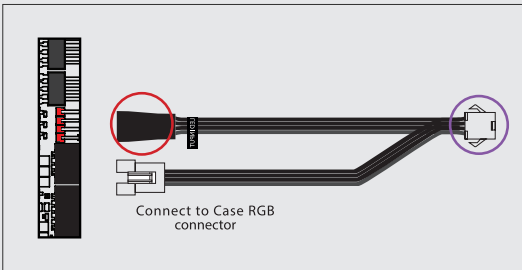
Connect the 2 RGB connectors to the RGB LED strips.

There are three options available for setting up your RGB lighting:

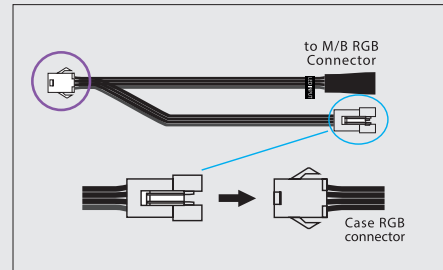
1. Connect to Phanteks Case
2. Connect to RGB GPU
3. Connect to RGB Motherboard



2. CONNECT TO RGB GPU



3. CONNECT TO RGB MOTHERBOARD

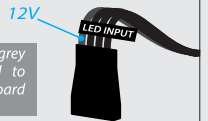


CAUTION

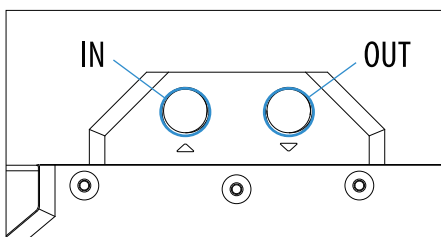
Make sure the 12V pin (grey colored cable) is connected to the 12V pin on the motherboard header.

MOTHERBOARD /GPU
RGB HEADER

12V G R B



STEP 7. INSTALLATION OF FITTINGS AND TUBING



Screw in the two G1/4 threaded male fittings, attach the liquid cooling tubes and connect the water block(s) into the cooling circuit. Phanteks recommends using Phanteks fitting with the Phanteks Glacier Series water blocks.



- For the best performance, we recommend to match the inlet/outlet configuration of the water block.
- Do not forget to plug the remaining two openings.
- Always perform a leak test before starting your computer.

Phanteks recommends you follow the steps below before you start your water loop setup

1. Test all your hardware before you start your water loop setup to make sure it is in working condition.
2. Plan out your loop to save some time.
3. Flush and rinse your water blocks with distilled water prior to use to ensure a clean loop.
4. Make sure that everything is unpowered and unplugged, either at the power supply end or hardware's end before you start your leak test.
5. Use paper towels under fittings and joints to avoid damage if there are leaks.
6. With the fill port open, run the loop for approximately 24 hours to completely bleed the air out of the loop.