

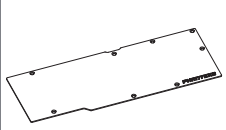
GLACIER BACKPLATE

INSTALLATION GUIDE V1.0
PH-GB2080TiFEBP_BK01/CR01

FOUNDERS EDITION G2080/G2080Ti

PACKAGE CONTENTS

For latest version check www.Phanteks.com



GLACIER BACKPLATE
QTY: 1

⚠ This product requires the PH-GB2080FE or PH-GB2080TiFE GPU water block. Please follow step 1 to 3 of the GPU water blocks' installation guide before proceeding.



M2.5x8 Flush Screws
QTY: 10

⚠ WARNING - This product is intended for advanced users. Improper installation may result in damage to your equipment. While all efforts have been made to provide the most comprehensive information possible, Phanteks assumes no liability expressed or implied for any damage(s) occurring to your components as a result of using Phanteks cooling products, either due to mistake or omission on our part in the below instructions, or due to failure or defect in the Phanteks cooling products. Do not disassemble the water block. Warranty will be voided.


Turn off the power to your system and discharge your body's static electric charge before proceeding with the installation procedure. If you do not feel comfortable with performing the installation procedure, consult a qualified computer technician.

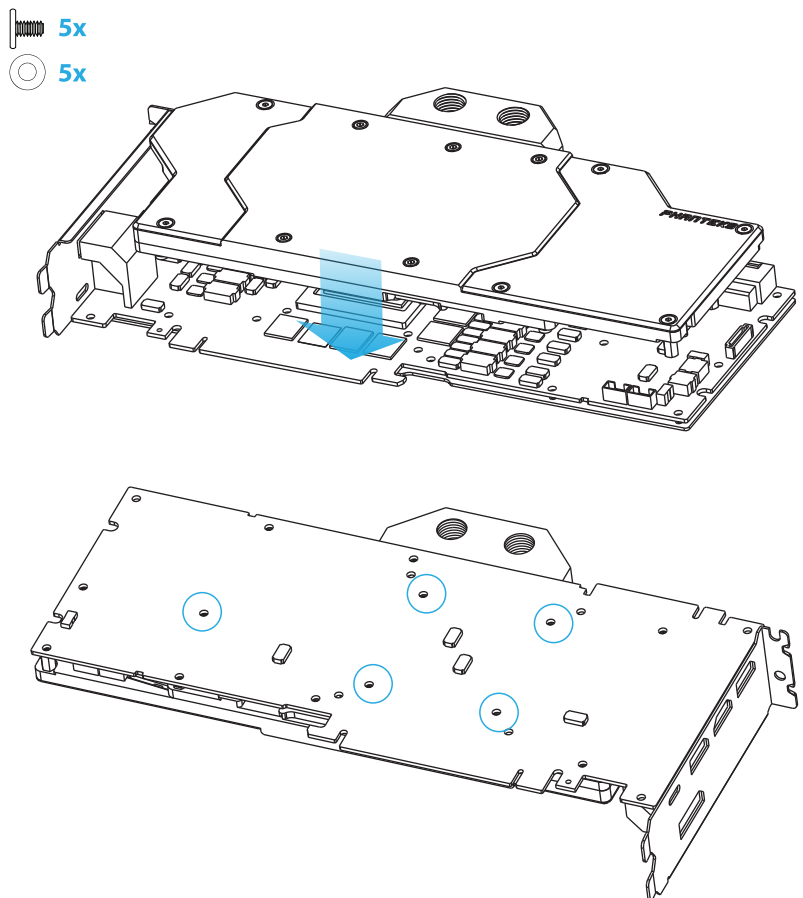
FINISH STEPS 1 TO 3 FROM THE WATER BLOCK INSTALLATION GUIDE BEFORE PROCEEDING:

STEP 1. MOUNT THE WATER BLOCK

Carefully position the water block onto the graphics card. Align the mounting holes on the PCB with the holes on the water block.

Secure the water block with 5 M2.5x5mm screws and washers to the PCB. These screws are included with the water block.

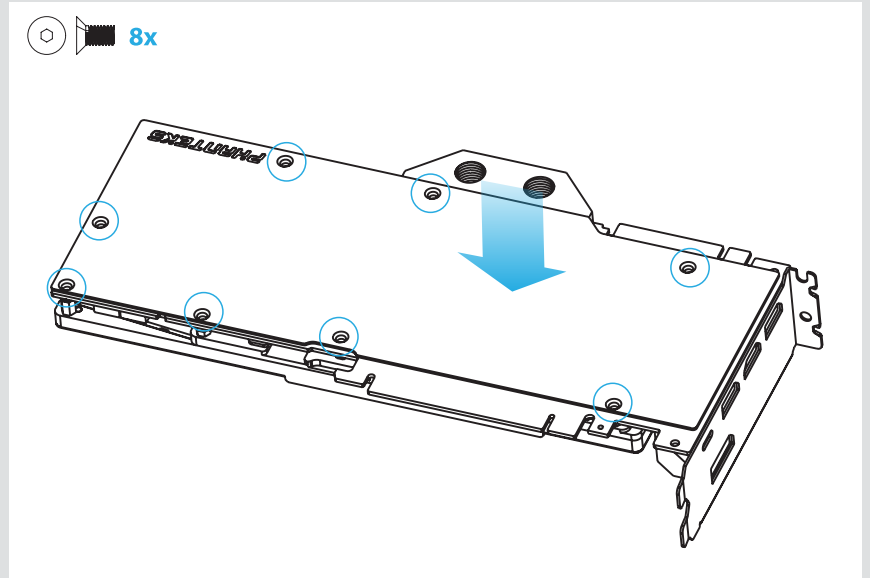
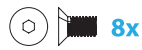
 *Make sure to lay the GPU with the water block flat down without resting on the PCI bracket.*



STEP 2. INSTALL THE GLACIER BACKPLATE

Carefully position the backplate onto the graphics card. Align the mounting holes on the PCB with the holes on the backplate.

Secure the backplate with 8 M2.5x8mm flush screws to the PCB.



CONTINUE WITH STEP 5 OF THE WATER BLOCK INSTALLATION GUIDE:

STEP 5. CONNECT D-RGB LIGHTING

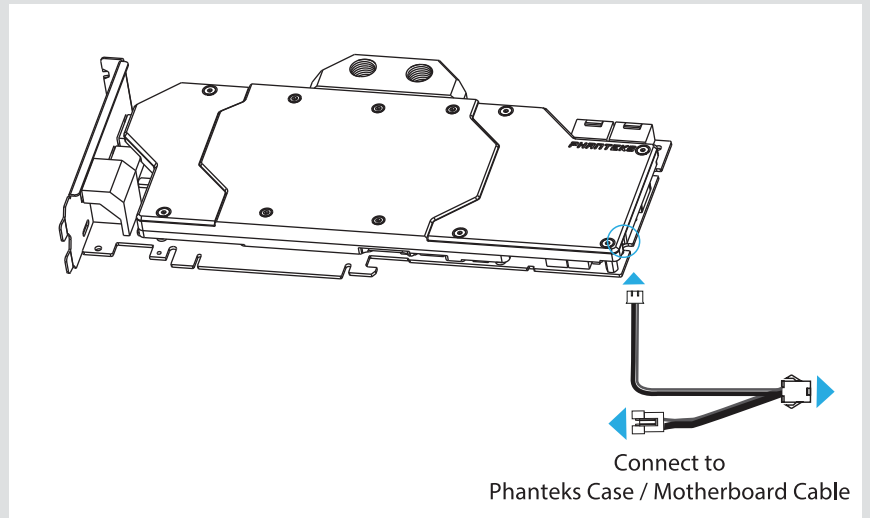
Connect the D-RGB cable to the D-RGB strip in the water block.



All Phanteks D-RGB products can be daisy-chained together.



You can connect the D-RGB cable to a compatible motherboard with the cable that is included with the motherboard.



STEP 6. INSTALLING FITTINGS

Install G1/4 threaded male fittings and close the remaining ports with the two included Stop Fittings.



Always perform a leak test before providing power to any system components.

